

Control Units for CCS LED Lights

Please select a best-suited control unit according to your intended use and objective.

Digital Control Units

PD2 Series

CE	Models with CE Marking:
	PD2-3012 / PD2-3024 / PD2-5012 / PD2-5024 / PD2-3012-2 / PD2-3024-2 / PD2-3012-4 / PD2-3024-4 / PD2-3012-8 / PD2-3024-8

Offers repeatable, linear light intensity control with 256 discrete levels using coarse and fine adjustments

The PD2 Series of digital power supplies are designed specifically for use with CCS LED lights. Compared with analog power supplies, the PD2 Series provides a more linear and repeatable intensity control because of the force-detent adjustment coarse/fine adjustment knobs and benefits of pulse duty control. The PD2 Series is suitable for all CCS lights without dedicated power supplies. The Series is designed to meet the requirements of the widest variety of applications with the 12 and 24V options, power ratings range, and the number of independent output channels.



Selecting a PD2 Series control unit

- (1) Select a 12-V or 24-V output models according to the voltage of a LED lights used.
- (2) Select from the 10-watt, 30-watt or 50-watt models according to the total of power consumption of LED lights to be used.
- (3) Select from 2-channel, 4-channel, or 8-channel models according to the number of independent outputs needed (multiple lights can be connected to a single output channel with a 2 or 4 way branch cables).
- (4) Select one of the optional external control cables. (Refer to information on page 90)

Specifications

Model	PD2-1012	PD2-1024	PD2-3012	PD2-3024	PD2-5012	PD2-5024	PD2-3012-2	PD2-3024-2	PD2-3012-4	PD2-3024-4	PD2-3012-8	PD2-3024-8
Direct Number	2000519	2000520	2000521	2000522	2000536	2000537	2000523	2000524	2000525	2000526	2000527	2000528
Input voltage	100 to 120V AC						100 to 240V AC					
Input current *	0.25A typ.		0.78A typ.		1.3A typ.		0.78A typ.					
Frequency	50 / 60Hz											
Inrush current *	15A typ.											
Number of channels	1	1	1	1	1	1	2	2	4	4	8	8
DC output voltage	12V	24V	12V	24V	12V	24V	12V	24V	12V	24V	12V	24V
Output power	9.5W max.	9.0W max.	28W max.	28W max.	46W max.	46W max.	28W max.	28W max.	27W max.	27W max.	25W max.	25W max.
Intensity control	Control method : 60kHz (approx.) pulse duty control Manual : 256-level of intensity control using dual 16 position Coarse and Fine rotary knob on the control panel External control : Intensity control using 8-bit parallel signal											
External control input	Input circuit : At + 5.0V with 4.7kΩ Pull-up resistor.						Input circuit : At + 5.0V with 1.5k Pull-up resistor.					
External control connector	D-Sub 15-pin (plug)						D-Sub 25-pin (plug)					
ON/OFF control	Manual : Ø3.5-mm microphone jack External control : D-Sub 15-pin ON signal (Asynchronous with write sequence)						Manual : D-Sub 25-pin OFF signal External control (Asynchronous with write sequence)					
ON/OFF response	OFF - ON: 10μs typ., ON - OFF: 10μs typ.											
Startup time	0.5sec typ.											
Output overcurrent protection	Activated by 107% minimum of the rated output current and reset by turning the power supply ON with front panel power switch.											
Operating environment	Temperature 0 to 40°C, humidity 20 to 85%RH (with no condensation)											
Storage environment	Temperature -20 to 60°C, humidity 20 to 85%RH (with no condensation)											
Weight	0.7kg or less		1.1kg or less		1.3kg or less		1.1kg or less		1.2kg or less		1.5kg or less	

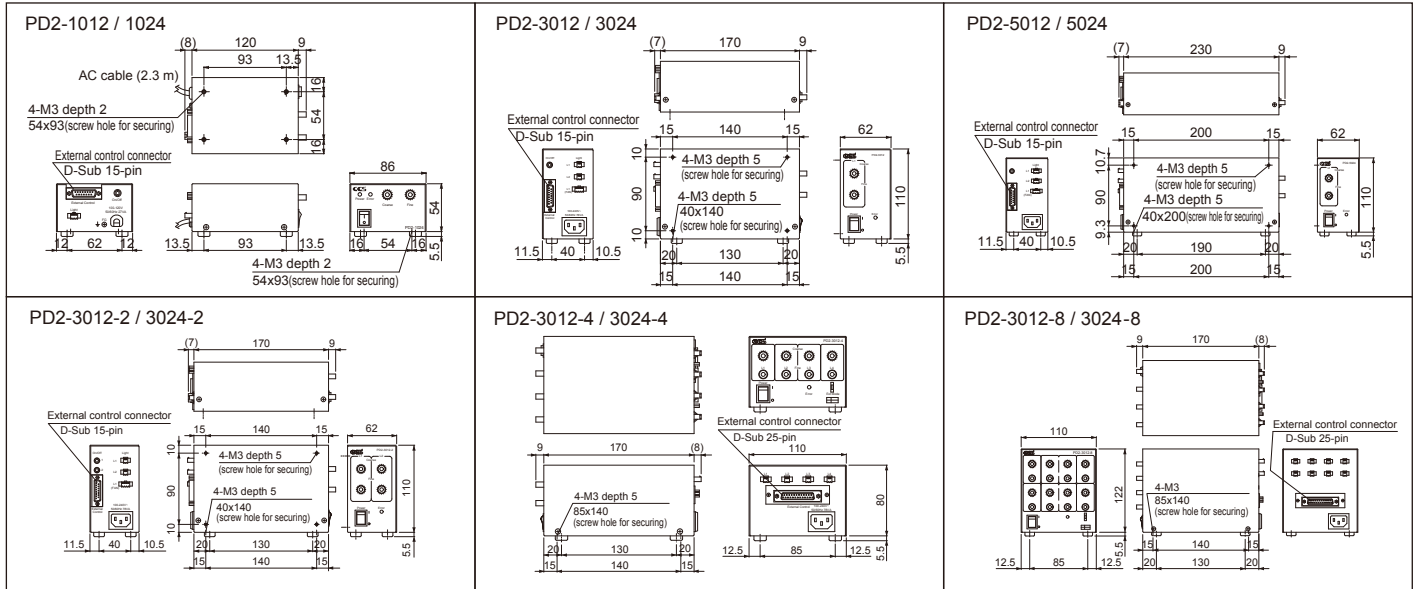
* At a voltage of 100VAC

Direct Number : A direct number is a 7-digit number assigned to a CCS product. You can easily access the web page providing information on any desired product by simply entering the direct number in the space provided on the CCS website pages for machine vision. (Refer to the back cover of this brochure.)

Control Unit



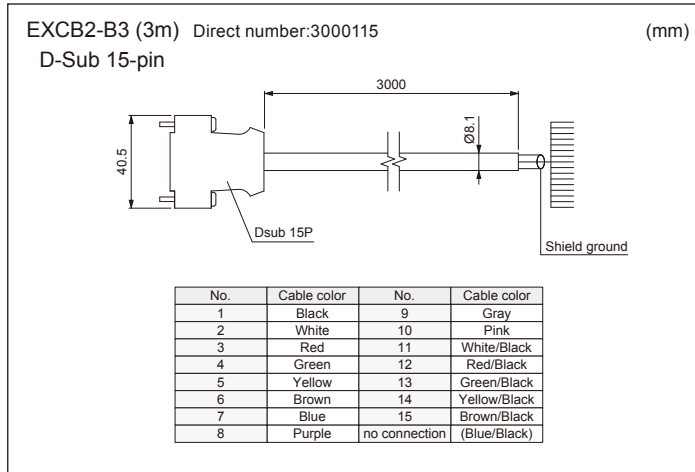
Dimension Diagrams (Unit: mm)



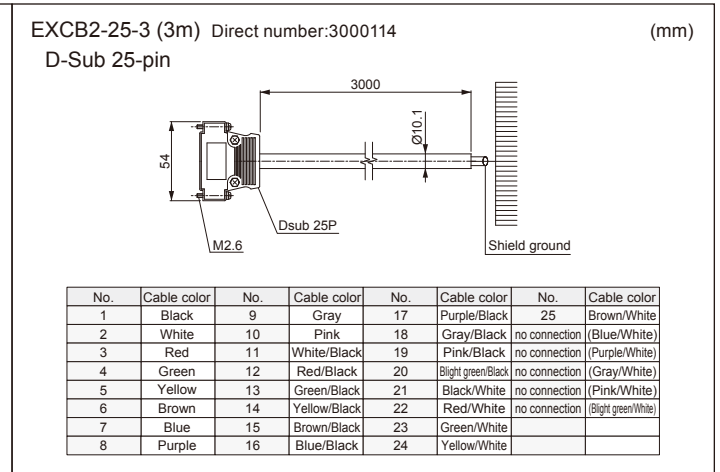
Options for PD2 Series

External control cable for Intensity AND On/Off

For PD2(1-channel or 2-channel type) series



For PD2(4-channel or 8-channel type) series / PTU2 series



External control cable for ON/OFF ONLY

For PD2(1-channel or 2-channel type) series

