

L1028KRW

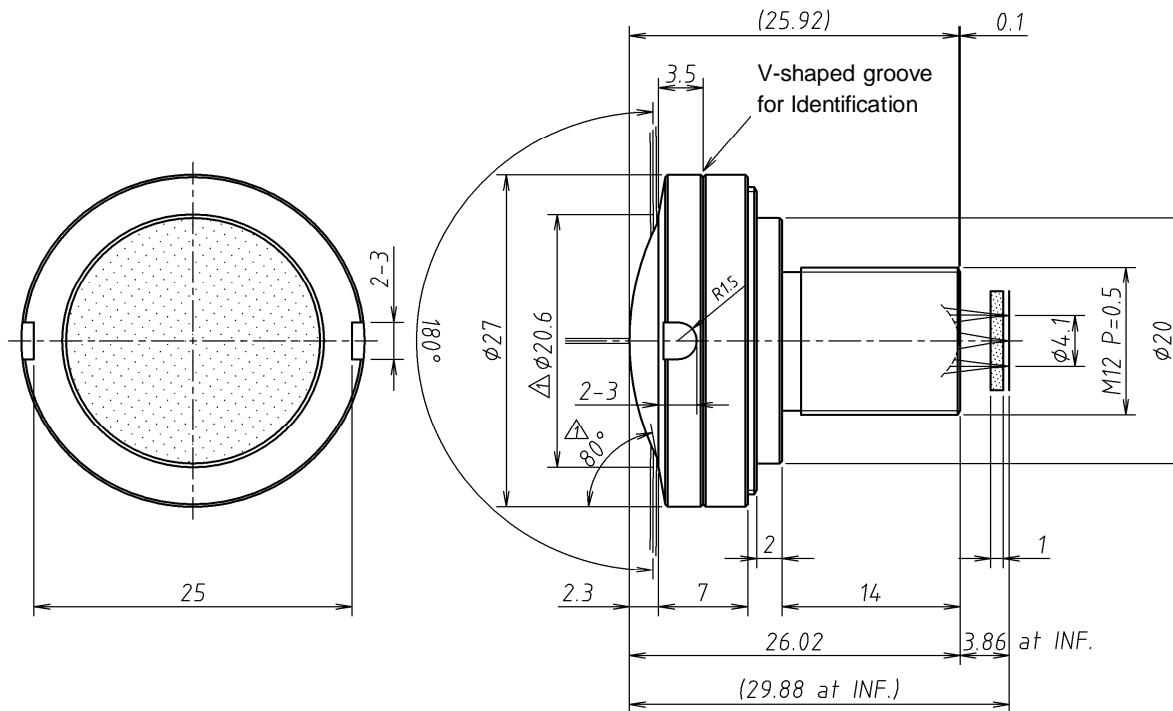
f = 1.05mm F2.8 Megapixel lens
for 1/2.5 type Format Board Cameras, Fisheye, No Iris
IR corrective

Model No.	L1028KRW			Effective	Front	φ 20mm	
Focal Length	1.05mm			Lens Aperture	Rear	φ 5.4mm	
Max. Aperture Ratio	1:2.8			Distortion		-96.66%	
Image Size at 180°	φ 4.1			Back Focal Length		3.62mm	
Operation Range	Iris	-			Flange Back Length		
	Focus	0.05m - Inf.			Mount		
Object Dimension at M.O.D.	1/2.5 type	-			Dimensions		
	1/3 type	-			Weight		
Coating	MgF2 Single Coat (All Surfaces λ = 510nm)						
Angle of View (Peripheral light amount 50%)	D	1/2.5 type	-	1/3 type	-	1/4 type	180.0°
	H	Fisheye	-	-	180.0°	-	163.2°
	V		180.0°	-	163.2°	-	130.2°

1/2.5 inch

M12 P=0.5

Dimensions



ImmerVision Enables Compatible.
Specification is subject to change without any notice.

01/07/2014