



Vision Light Tech

creating optical solutions

M2528-MPW3

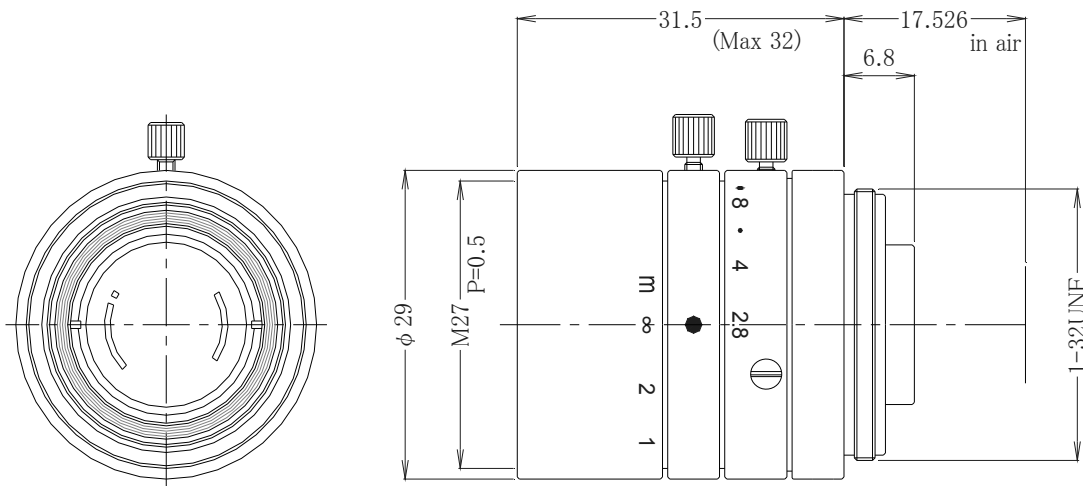
f = 25mm F 2.8
For 2/3 type Cameras
C-Mount

Model No.	M2528-MPW3		Effective	Front	φ 14.1mm	
Focal Length	25mm		Lens Aperture	Rear	φ 10.5mm	
Max. Aperture Ratio	1:2.8		Distortion	2/3 type(Y=5.5mm)	0.77%	
Max. Image Format	8.8mm x 6.6mm(φ 11mm)			1/1.8 type(Y=4.5mm)	0.49%	
Operation Range	Iris	F2.8 - 16.0		1/2.5 type(Y=3.55mm)	0.29%	
Control	Focus	0.2m - inf.	Back Focal Length		11.5mm	
	Iris	Manual	Flange Back Length		17.526mm	
Object Dimension at M.O.D.	Focus	Manual	Mount		C-Mount	
	2/3 Type	70.7 x 53.0 mm	Filter Size		M27 P=0.5mm	
	1/1.8 Type	57.8 x 43.3 mm	Dimensions		φ 29mm x 31.5mm	
Angle of View	1/2.5 Type	45.7 x 34.5 mm	Weight		42g	
	D	2/3 type	1/1.8 type	20.3°	1/2.5 type	16.1°
	H					13.0°
V		9.8°				
Operating Temperature	-10°C - +50°C					

2/3
type

C

Dimensions



Vision Light Tech B.V.

Protonenlaan 22, 5405 NE UDEN, P.O. Box 345, 5400 AH UDEN, The Netherlands

Phone: +31 (0)413 26 00 67, Fax +31 (0)413 26 09 38, E-mail: inquiry@vlt.nl, Website: www.vlt.nl

Trade register No. 17150044, VAT No. NL8112.30.946.B01