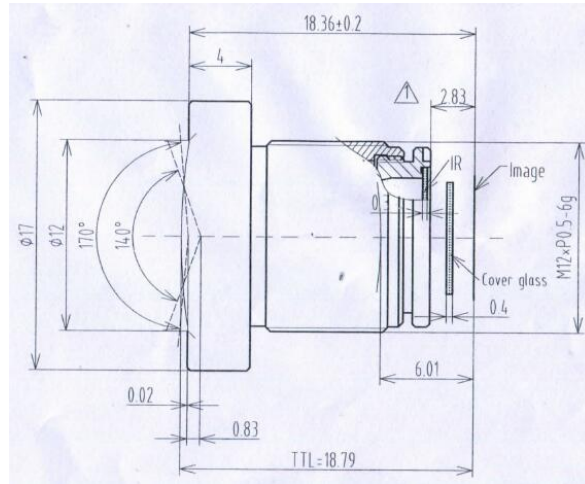




Vision Light Tech

creating optical solutions



Focal Length :		3.5mm		
Resolution :		Center	300lp/mm	
		Φ6	160lp/mm	
Format :		1/2.3"(Sony IMX206)	1/2.5"(Sony IMX317)	
Mount :		M12 mount		
F/No :		F2.8		
Back Focus:		6.01mm		
FFL:		2.83mm		
Max image:		Φ7.8		
Angle of View :		1/2.3"(Sony IMX206)	1/2.5"(Sony IMX317)	
		D (°)	168	140
		H (°)	112	112
		V (°)	79	59
Optical Distortion :		<90%	<60%	
CRA:		13°	12°	
TTL :		18.79mm		
Model :		ACDCY0801A		