

Ring Lights HPR2 series

Refer to our website for product details.

CCS HPR2

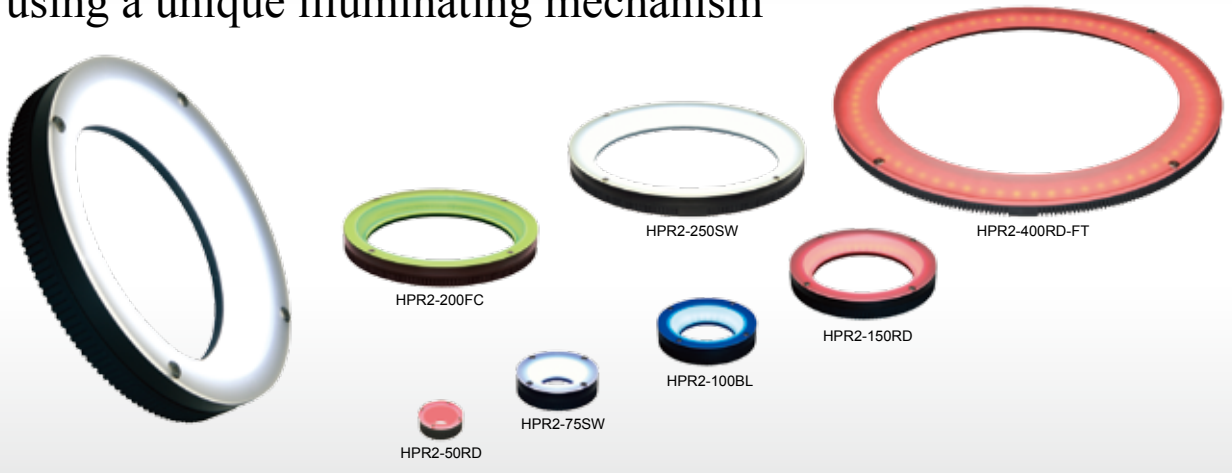
Search



You can also use your smartphone or cell phone.

Use a search engine.

Achieves a uniform region with a high degree of freedom by using a unique illuminating mechanism



Applications Inspection for damage/stains, visual/color determination inspections, character recognition, text inspection, high angle uniform illumination, and characteristic extraction at low angle, etc.

Supports from low angles to high angles

Provides diffused light from the LEDs without waste using a unique illuminating mechanism. Even if the distance from the workpiece to the Light Unit is changed, there is little variation in the uniform region and it can therefore be used for a wide variety of uses.

Achieves a uniform region with a high degree of freedom

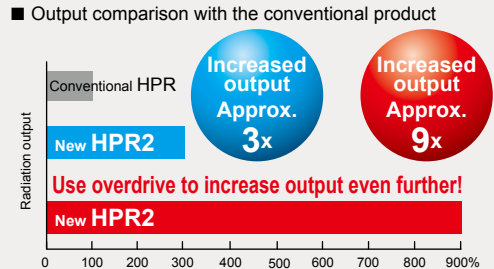
Workpiece: Food container

- Illuminating distance: 150 mm
- Illuminating distance: 100 mm
- Illuminating distance: 30 mm

Provides diffused light at high output

It achieves uniform illumination of diffused light at high output using surface-mounted LEDs and a specially processed diffusion plate.

Achieved higher output than the conventional product



* This is a comparison between the HPR-100 and HPR2-100, using red and white colors.
* It can be combined with a Strobe Control Unit for even brighter emission than continuous emission.
* The data included is for reference only and does not guarantee the quality of this product.

Added two sizes and a full color (RGB) type

We added the HPR2-75 and HPR2-200 models. Also, we added a full color (RGB) type to the lineup as variation for wavelengths, increasing the applications of our products.

Custom orders

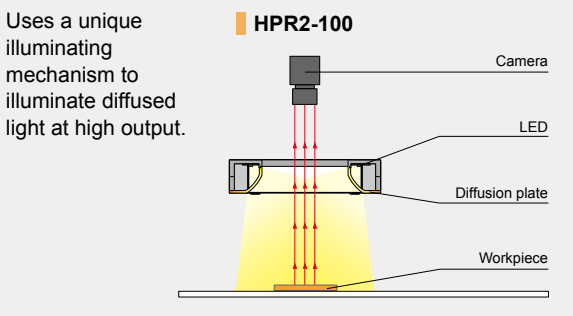
Please contact your CCS sales representative.
E.g.: Different shape

Customizable items

- Format/material: Changed the format to a semicircle to match the workpiece.
- External/internal diameter
- Wavelength/Color
- Increase output
- Cable length
- Illuminating angle
- Format/material
- Connector format
- Installation/mounting

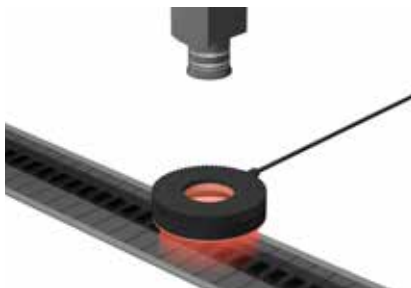
Etc.

Example configuration



- LDR2
- LDR2-LA
- LDR-LA1
- SQR
- SQR-TP
- HLDR-IP
- HPR2
- HPR
- LFR
- LKR
- FPR
- FPQ2
- LDL2
- LDLB
- HLDL2
- TH
- LFL
- HPD2
- HPD
- LDM2
- LAV
- PDM
- LFX2
- LFV3
- LFV2
- MSU
- MFU
- UV2
- UV
- LNSP-UV-FN
- IR2
- HLV2
- LV
- LSP
- HFS/HFR
- HLV2-NR
- HLV2-3M-RGB-3W
- PFB2
- PFBR
- LNSP
- CU-LNSP
- LNSP-FN
- LN/LN-HK
- LNSD
- LND2
- HLND
- LT
- LNW/HLDN
- LNIS
- LNIS-FN
- Telecentric Lens
- Macro Lens

Imaging example : Imaging of text on electronic parts



Description	Printing inspection
Workpiece	Electronics part in embossed tape
Before the proposal	LED Ring Light
After the proposal	HPR2-75RD
Result	Improved uniformity

Workpiece image



Electronics part in embossed tape

LED Ring Light



Stable inspection is difficult due to surface reflection.

HPR2-75RD



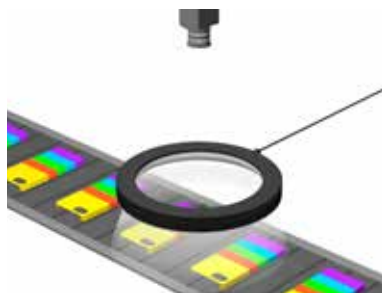
Surface reflection is reduced and an image of the text can be made.

Imaging example : Exterior imaging of a multi-colored workpiece

Workpiece image

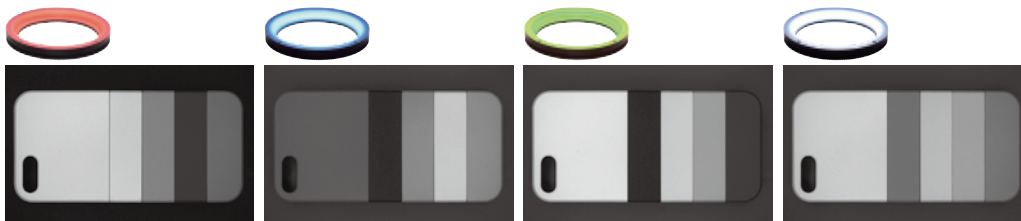


Smartphone case



Description	Visual inspection
Workpiece	Smartphone case
Before the proposal	-
After the proposal	HPR2-200FC: full color (RGB) type
Result	Allows for color determination.

HPR2-200FC: full color (RGB) type



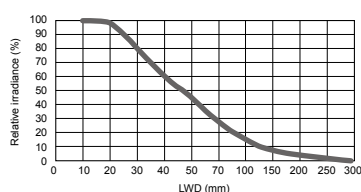
Imaging with red illumination Imaging with blue illumination Imaging with green illumination Imaging with white illumination

Data: Relative irradiance graph/Uniformity graph (Representative example)

HPR2-75SW

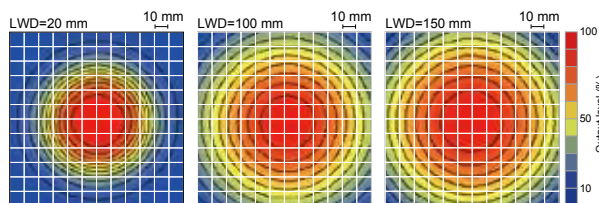
Relative irradiance graph^{*1}
(LWD Characteristics)^{*2}

*1: Irradiance on the optical axis
*2: Illuminating distance from the Light Unit to the workpiece



*The graph included is for reference only and does not guarantee the quality of this product.

Uniformity graph (Relative irradiance)



HPR2 series



Refer to our website for product details.

CCS HPR2

Search



You can also use your smartphone or cell phone.

Use a search engine.

Lineup

Model name	LED color	Power consumption	Peak wavelength/ correlated color temperature	Options	Recommended Control Units	Weight
HPR2-50RD	Red	24 V / 7.6 W	635 nm	Bracket	PD3 CC-ST-1024	46 g
HPR2-50SW	White	24 V / 9.1 W	6,000 K		PSB PTU2	
HPR2-50BL	Blue		470 nm			
HPR2-50FC*1	Red/Green/Blue	24 V / 3.8 W	622 nm/525 nm/470 nm		PD3	
HPR2-75RD	Red	24 V / 17 W	635 nm	Bracket	PD3	160 g
HPR2-75SW	White	24 V / 16 W	6,000 K		PSB PTU2	
HPR2-75BL	Blue		470 nm			
HPR2-75FC*1	Red/Green/Blue	24 V / 6.0 W	622 nm/525 nm/470 nm		PD3	
HPR2-100RD	Red	24 V / 17 W	635 nm	Bracket	PD3	170 g
HPR2-100SW	White	24 V / 23 W	6,000 K		PSB PTU2	
HPR2-100BL	Blue		470 nm			
HPR2-100FC*1	Red/Green/Blue	24 V / 11 W	622 nm/525 nm/470 nm		PD3	
HPR2-150RD	Red	24 V / 27 W	635 nm	Bracket	PD3	250 g
HPR2-150SW	White		6,000 K		PSB PTU2	
HPR2-150BL	Blue		470 nm			
HPR2-150FC*1	Red/Green/Blue	24 V / 15 W	622 nm/525 nm/470 nm		PD3	
HPR2-200RD	Red	24 V / 34 W	635 nm	Bracket	PD3	380 g
HPR2-200SW	White	24 V / 41 W	6,000 K			
HPR2-200BL	Blue		470 nm			
HPR2-200FC*1	Red/Green/Blue	24 V / 19 W	622 nm/525 nm/470 nm			
HPR2-250RD	Red	24 V / 45 W	635 nm	Bracket	PD3	510 g
HPR2-250SW	White	24 V / 46 W	6,000 K			
HPR2-250BL	Blue		470 nm			
HPR2-250FC*1	Red/Green/Blue	24 V / 24 W	622 nm/525 nm/470 nm			
HPR2-400RD-FT	Red	24 V / 45 W	635 nm	-	PD3	1,050 g
HPR2-400SW-FT	White	24 V / 46 W	6,000 K			
HPR2-400BL-FT	Blue		470 nm			
HPR2-400FC-FT*1	Red/Green/Blue	24 V / 30 W	622 nm/525 nm/470 nm			

*1: Use a 3-channel Control Unit for a full color (RGB) type.

*1: The full color (RGB) type cannot be used in combination with Strobe Control Units (PTU2-3024, BB-V24S30-M, BB-V24S30-S).
ON/OFF control is possible via the strobe mode or ON/OFF mode of the PD3 series, and continuous lighting Control Units (PD2 series, BB series, etc.).

Extension Cables ▶ P.222

Control Unit Selection Guide ▶ P.181

Control Unit Page ▶ P.185

LED properties

Light spectrum

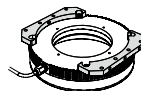
If using a sharp-cut filter, please use the R60 (option). For details about the sharp-cut filter, refer to P.215.

Be sure to read the "Instruction Guide" included with the product before use and observe cautionary information. The data included is for reference only and does not guarantee the quality of this product.

Options



Combine with the Dome Light HPD2 series to achieve imaging by light switching and simultaneous lighting.



Achieves installation using installation holes with a larger gap than the Light Unit body installation holes, or installation on a vertical surface.

Light joint bracket

Model name	Applicable Light Unit (Common for all colors)
BK-75-JO	HPR2-75 series
BK-100-JO	HPR2-100 series
BK-150-JO	HPR2-150 series
BK-200-JO	HPR2-200 series
BK-250-JO	HPR2-250 series

▶ P.219

Expansion mounting bracket

Model name	Applicable Light Unit (Common for all colors)
BK-50-CI	HPR2-50 series
BK-75-CI	HPR2-75 series
BK-100-CI	HPR2-100 series
BK-150-CI	HPR2-150 series
BK-200-CI	HPR2-200 series
BK-250-CI	HPR2-250 series

▶ P.220

● Example of the expansion mounting bracket in use



Ring Light: Image of usage with the HPR2-200RD

We have various materials.

PDF Drawings

DXF Drawings

3D CAD

Instruction Guides

Product Filers

Imaging Samples

Data Sheets

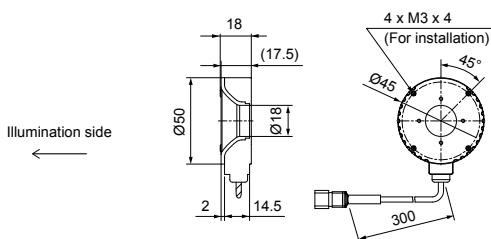
Examples of Custom Ordered Products

Download here.

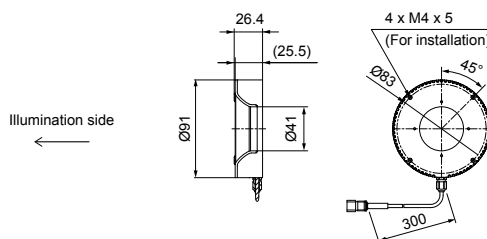
<http://www.ccs-grp.com/dl/>

Dimensions (mm)

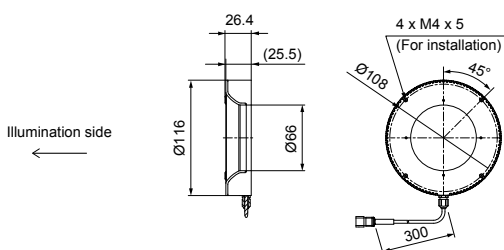
HPR2-50RD/SW/BL/FC



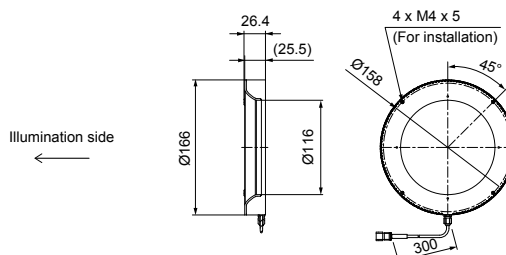
HPR2-75RD/SW/BL/FC



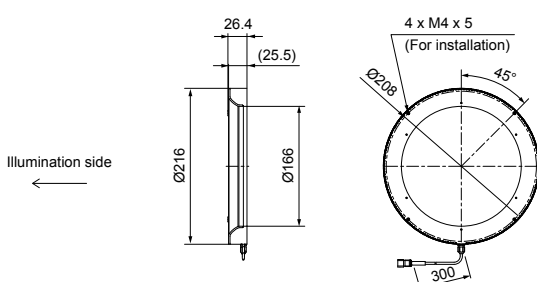
HPR2-100RD/SW/BL/FC



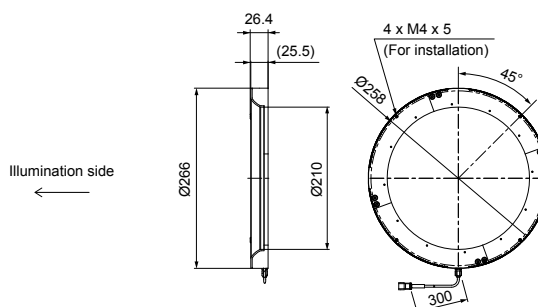
HPR2-150RD/SW/BL/FC



HPR2-200RD/SW/BL/FC

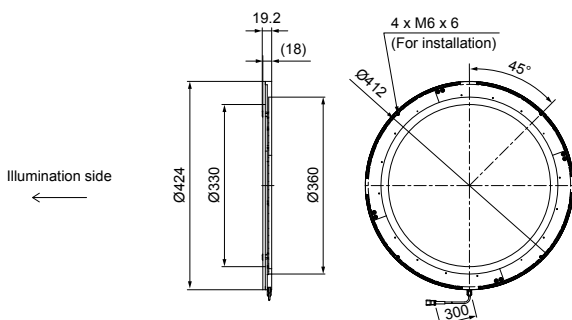


HPR2-250RD/SW/BL/FC



* The HPR2-250 model has a curved diffusion plate.
Be aware this differs from the conventional product.

HPR2-400RD-FT/SW-FT/BL-FT/FC-FT



* The HPR2-400-FT has a flat diffusion plate.

* The full color type (HPR2-□□FC, HPR2-400FC-FT) has three connectors.
Use a 3-channel Control Unit if controlling intensity separately for each color.

You can change the connectors of the Light Unit cable. Choose between M12 connectors and flying leads. Refer to P.125 for details.

You can inquire using
our website.

Requests for
Light Unit
Selection

Requests for
Loan
Products

Requests for
Estimates

Requests for
a Catalog

Product
Inquiries

Other
Inquiries

Inquire on our website here.
<http://www.ccs-grp.com/contact/>