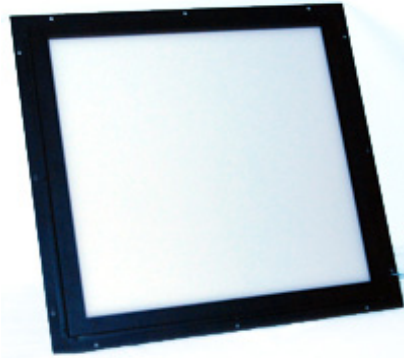


High Efficiency Economic Backlight

Model#: FR-BL412X412



- 2x brighter than Cold Cathode fluorescent.
- Better uniformity than Cold Cathode fluorescent (+/-5%).
- No warm up time (time to reach full intensity).
- Low Power Consumption.
- No hot spots or glare.
- Patent-pending technology.

Active Area

Length: 16.25" / 412.75mm
 Width: 16.25" / 412.75 mm

Dimensions

Length: 16.87" / 428.5mm
 Width: 19.42" / 493.27mm
 Height: 0.8" / 21.34 mm

Specifications:

Current Consumption	1A
Finish	Black Anodized
Housing	Alluminum
Intensity Uniformity	+/-5%
Weight	8.5lbs
Operating Temperature	120° F Max
Illuminance	16,000 Lux
Compliance	CE/RoHS
Lifetime Hours	75,000 Hours

Part

FR-BL412x412-W-24

Color

White 6000 K

Wiring Diagram

Flying Leads	Function
RED	+24VDC
BLACK	Ground

ORDERING INFORMATION:

• FR - BL 4 1 2 X 4 1 2 - - 2 4 -

|
W White 6000k

|
***BLANK
ILD
ILS** 10 ft. Flying Leads
In Line Dimmer
In Line Strobe (customer provide trigger info)

High Efficiency Economic Backlight

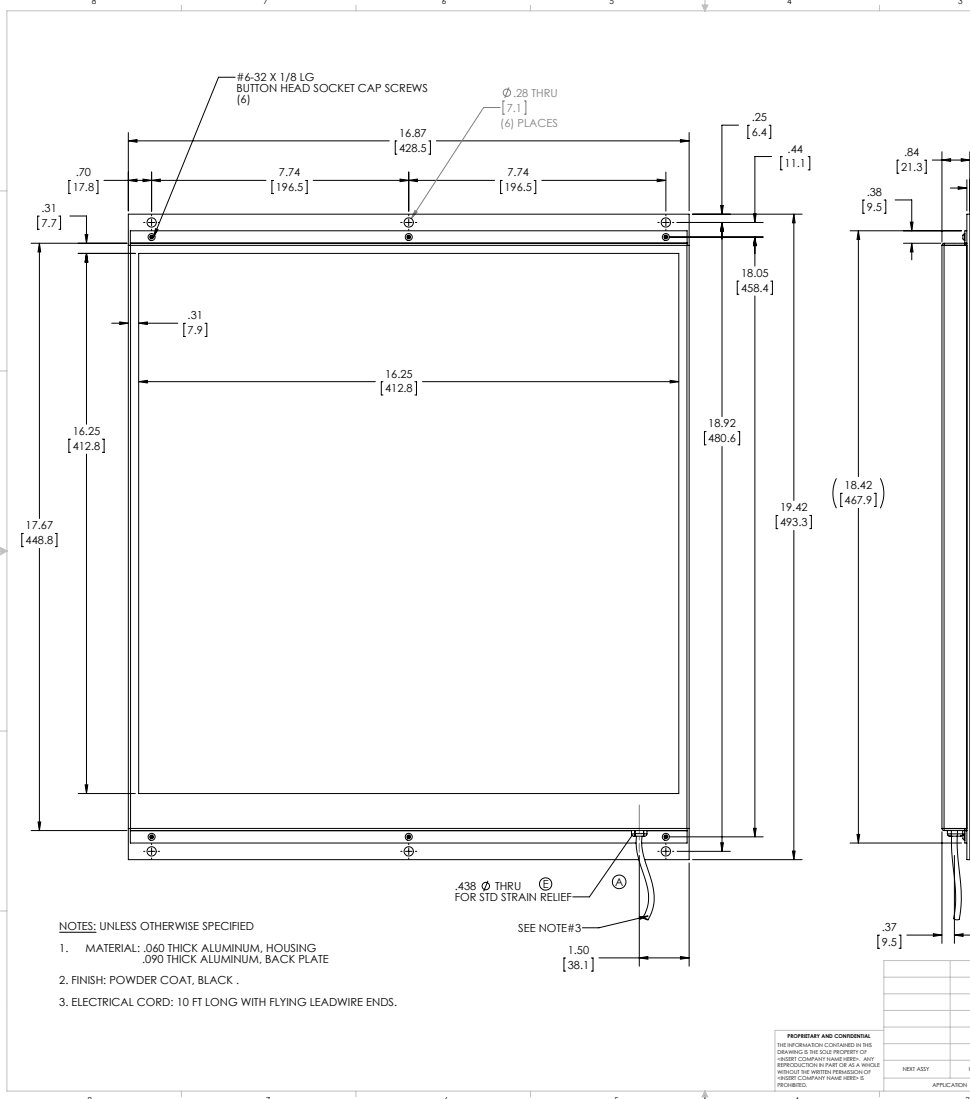
Model#: FR-BL412X412



Vision Light Tech
creating optical solutions

Drawing/Diagram

REVISIONS				
ZONE	REV.	DESCRIPTION	DATE	APPROVED
	A	ELECTRICAL CORD EXIT MOVED FROM LEFT SIDE TO RIGHT SIDE, KW	4/4/2011	
	B	ADDED SHEET #2, KW	4/7/2011	
	C	ADDED DIMENSIONS ON SHEET 2, KW	7/16/2011	
	D	ADDED SEPARATED ALUMINUM ANGLE, KW	7/12/2011	
	E	ADDED HOLE DIA. FOR STRAIN RELIEF, KW	10/17/2011	



- NOTES: UNLESS OTHERWISE SPECIFIED
- MATERIAL: .040 THICK ALUMINUM, HOUSING
.090 THICK ALUMINUM, BACK PLATE
 - FINISH: POWDER COAT, BLACK.
 - ELECTRICAL CORD: 10 FT LONG WITH FLYING LEADWIRE ENDS.

PROPRIETARY AND CONFIDENTIAL
THE INFORMATION CONTAINED IN THIS DRAWING IS THE SOLE PROPERTY OF VISION LIGHT TECH, INC. ANY REPRODUCTION IN PART OR AS A WHOLE WITHOUT THE WRITTEN PERMISSION OF VISION LIGHT TECH, INC. IS PROHIBITED.

UNLESS OTHERWISE SPECIFIED:	NAME	DATE
DIMENSIONS ARE IN INCHES	KW	4-1-11
TOLERANCES FRACTIONAL		
ANGULAR DIMENSIONS		
FINISH PLACE DECIMAL		
SIZE PLACE DECIMAL		
HIDDEN DIMENSIONS		
ISOLATION CHG. FEE		
DATE:		
REVISIONS:		
DATE:		
BY:		
CHECKED:		
ENG. APPR.		
MFG. APPR.		
DRAWN:		
DATE:		
COMMENTS:		
DO NOT SCALE DRAWING		

METAPHASE TECHNOLOGIES, INC.		
TITLE: BACKLIGHT, FLUORESCENT REPLACEMENT 412 X 412		
SIZE	DWG. NO.	REV
C	BL412X412FR	E
SCALE: 1:2	WEIGHT:	SHEET 1 OF 2

© Metaphase Technologies V. Whittaker BACK LIGHTS BACKLIGHT, ECONOMIC FLUORESCENT REPLACEMENT BL412X412FR