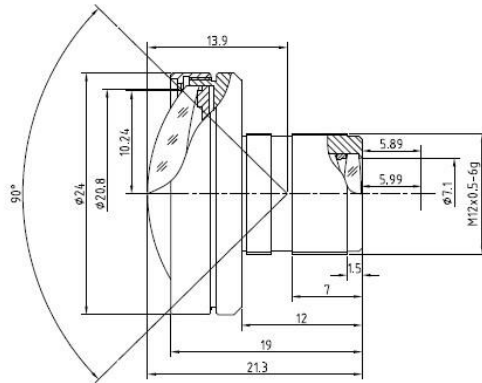




Vision Light Tech

creating optical solutions



Focal Length :	3.5mm	
Back Focal Length :	5.99mm	
Mount:	M12x0.5-6g	
Aperture (F) :	F1.8	
Iris	Fixed	
Image size :	1/2.5"	
Sensor :	CCD/CMOS	
(F.O.V.)(D/H/V):	90°/84°/68°	
CRA:	9.4°	
M.O.D:	0.2m	
Effective Aperture :	Φ20.8mm	Front
	Φ7.1mm	Rear
Distortion:	-1.5%	
Lens Construction:	8-7	
Dimension:	Φ24x19mm	
Model:	AC125B03518IRMM	