

Digital Control Units

PD2 series

Refer to our website for product details.

CCS PD2

Search



You can also use your smartphone or cell phone.

Use a search engine.

Intensity control to 256-step
Compatible with a wide range of uses



PD2-1012/PD2-1024



PD2-3012/PD2-3024



PD2-5012/PD2-5024



PD2-3012-2/PD2-3024-2



PD2-3012-4/PD2-3024-4



PD2-3012-8/PD2-3024-8



Compliant model(s)
PD2-3012/PD2-3024/PD2-5012/PD2-5024/PD2-3012-2/PD2-3024-2/
PD2-3012-4/PD2-3024-4/PD2-3012-8/PD2-3024-8

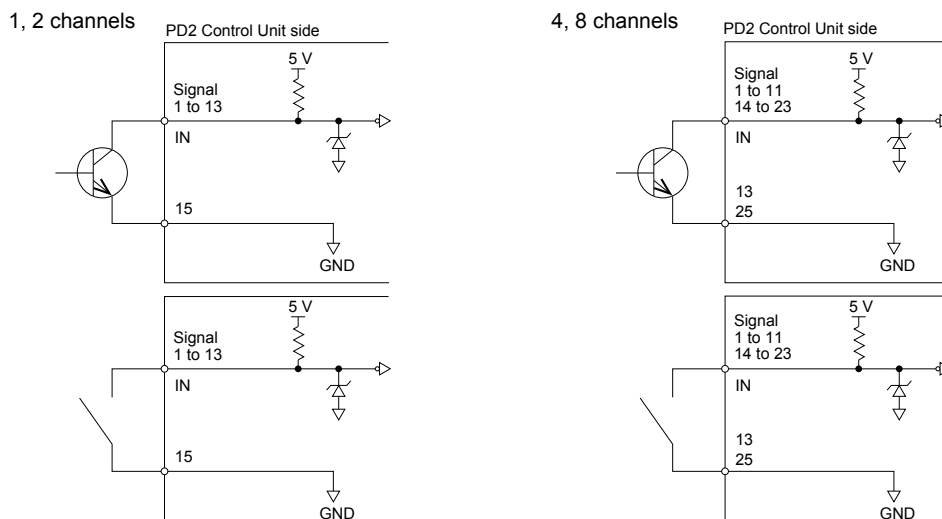
The supplied AC cord is for use with 100 to 120 VAC.
CCS recommends using the following with 200 to 240 VAC.
Cable: GTCE-3 x 1.0 mm² (Kawasaki Electric Wire)
Connector: KS-31AY (Kawasaki Electric Wire)

Characteristics

- You can select either 12 V or 24 V type according to the input voltage of the LED Light being used.
- You can select from 10 W, 30 W and 50 W types according to the power consumption of the LED Light being used.
- You can select from 2, 4 and 8-channel types if you are using individual intensity settings for multiple Light Units.
- You can select an optional external control cable if you are using external control (refer to P.193).

Example connection * Refer to the "Instruction Guide" for details.

Example connections of external control signal



Drive using driver IC or NPN open-collector. Drive is possible if there is a device through which flows an approximately 10 mA current from signal to ground.

We have various materials.

PDF Drawings

DXF Drawings

3D CAD

Instruction Guides

Product Filers

Imaging Samples

Data Sheets

Examples of Custom Ordered Products

Download here.

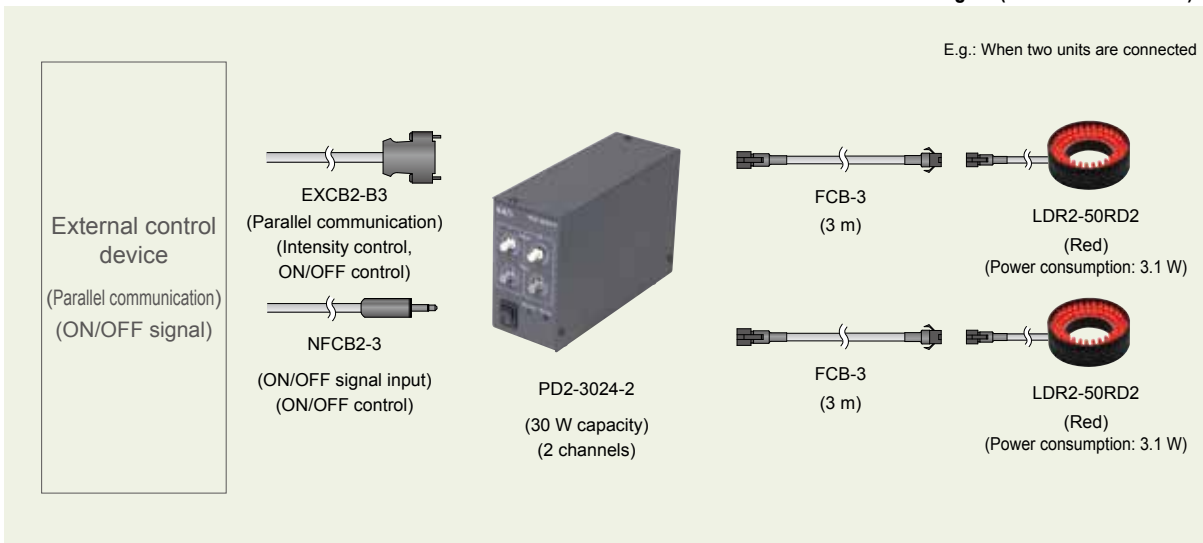
<http://www.ccs-grp.com/dl/>

PD3 series
PD2 series
STU-3000
PSB series
PTU2 series
PB-2430-1
CC-ST-1024
BB series
PJ series
CC-PJ-0707
PSSC series
PSB3-30024
Lens Filters
Diffusion Plates
Polarization Plates
Light Control Films
Brackets
Other
Extension Cables

Example system configuration

Example:

External control device — External control cables — Control Unit — Extension cables — LED Lights (two units connected)



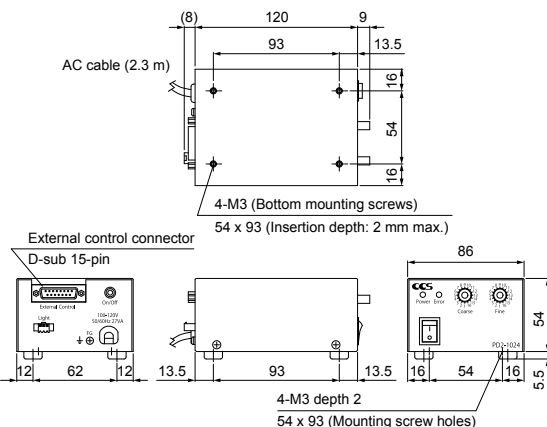
Specifications

Model name	PD2-1012	PD2-1024	PD2-3012	PD2-3024	PD2-5012	PD2-5024	PD2-3012-2	PD2-3024-2	PD2-3012-4	PD2-3024-4	PD2-3012-8	PD2-3024-8
Input voltage	100 to 120 VAC						100 to 240 VAC					
Input current*	0.25 A typ.		0.78 A typ.		1.3 A typ.				0.78 A typ.			
Frequency	50/60 Hz											
Inrush current	15 A typ.											
No. of channels	1 channel	1 channel	1 channel	1 channel	1 channel	1 channel	2 channels	2 channels	4 channels	4 channels	8 channels	8 channels
DC output voltage	12 V	24 V	12 V	24 V	12 V	24 V	12 V	24 V	12 V	24 V	12 V	24 V
Output voltage	9.5 W max.	9.0 W max.	28 W max.	28 W max.	46 W max.	46 W max.	28 W max.	28 W max.	27 W max.	27 W max.	25 W max.	25 W max.
Intensity control	Intensity control method: 62.5 kHz PWM control Manual: 16-step intensity control using coarse and fine rotary switches on the front panel External: Intensity control using 8-bit parallel signal											
External control input	Input circuit: Pull-up of +5.0 V internally by use of resistor (4.7 kΩ)						Input circuit: Pull-up of +5.0 V internally by use of resistor (2.2 kΩ)					
External control connector	HS-CMOS input: Low level of max. 1.0 V, high level of 3.5 V or more						D-sub 25-pin (plug)					
Lights ON/OFF control	ON/OFF control during manual intensity control: Ø3.5 mm microphone jack ON/OFF control during external intensity control: D-sub 15-pin ON signal (not synchronized with writing sequence)						Manual/External: D-sub 25-pin ON signal (not synchronized with writing sequence)					
Light ON/OFF response time	OFF→ON: 10 µs typ., ON→OFF: 10 µs typ.											
Startup time	0.5 sec typ.											
Output overcurrent protection	Operates at 107% of the output current. Reset by turning the power off and then on again.											
Operating environment	Temperature: 0 to 40°C, Humidity: 20% to 85%RH (with no condensation)											
Storage environment	Temperature: -20 to 60°C, Humidity: 20% to 85%RH (with no condensation)											
Weight	0.7 kg max.		1.1 kg max.		1.3 kg max.		1.1 kg max.		1.2 kg max.		1.5 kg max.	
Accessories	3-prong AC cord with ground terminal (2 m) x 1 (except for PD2-1012/1024), Instruction Guide x 1											

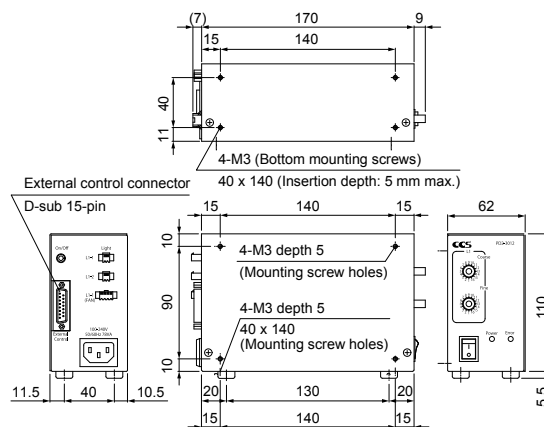
* For 100 VAC

Dimensions (mm)

PD2-1012/PD2-1024



PD2-3012/PD2-3024



You can inquire using our website.

Requests for Light Unit Selection

Requests for Loan Products

Requests for Estimates

Requests for a Catalog

Product Inquiries

Other Inquiries

Inquire on our website here.
<http://www.ccs-grp.com/contact/>

PD2 series



Refer to our website for product details.

CCS PD2 Search

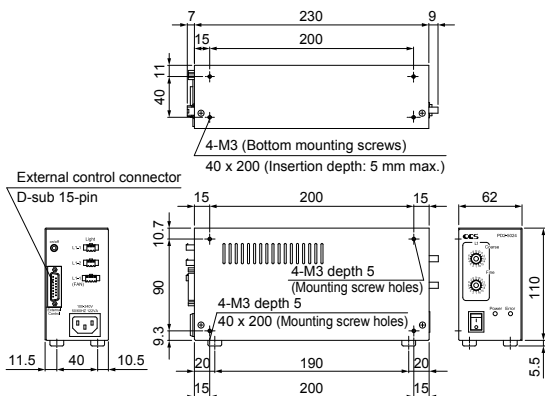


You can also use your smartphone or cell phone.

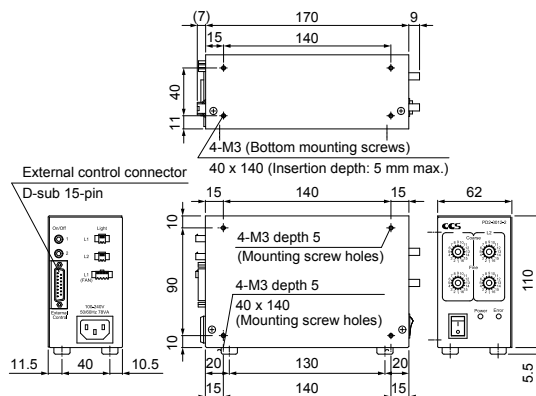
Use a search engine.

Dimensions (mm)

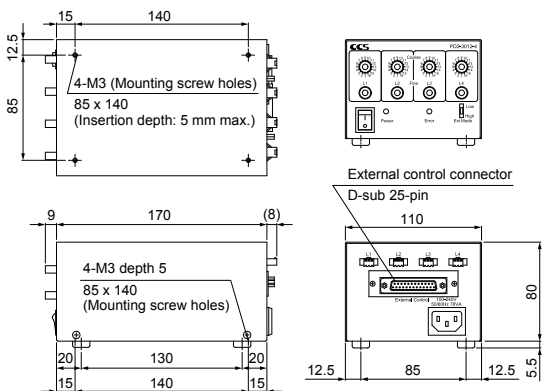
PD2-5012/PD2-5024



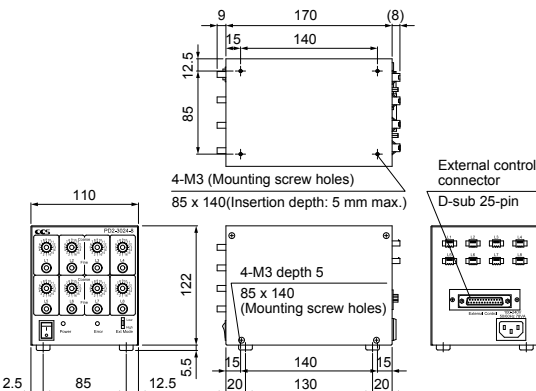
PD2-3012-2/PD2-3024-2



PD2-3012-4/PD2-3024-4



PD2-3012-8/PD2-3024-8



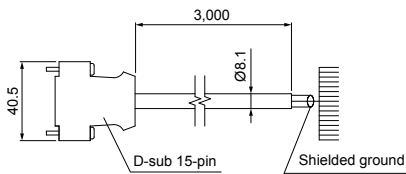
Options

External control cable

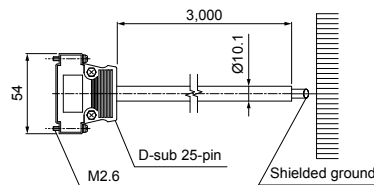
Dimensions (mm)

Corresponding Control Unit: PD2 (1 and 2 channels) series
EXCB2-B3 (3 m): D-sub 15-pin

Corresponding Control Unit: PD2 (4 and 8 channels) series
EXCB2-25-3 (3 m): D-sub 25-pin

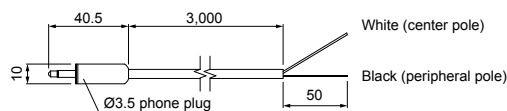


No.	Line color	No.	Line color
1	Black	9	Gray
2	White	10	Pink
3	Red	11	White/Black
4	Green	12	Red/Black
5	Yellow	13	Green/Black
6	Brown	14	Yellow/Black
7	Blue	15	Brown/Black
8	Purple	NC	(Blue/Black)



External ON/OFF control cable

Corresponding Control Unit: PD2 (1 and 2 channels) series
NFCB2-3 (3 m)



Line color	Signal
White	ON/OFF
Black	GND (-)

No.	Line color	No.	Line color	No.	Line color	No.	Line color
1	Black	9	Gray	17	Purple/Black	25	Brown/White
2	White	10	Pink	18	Grey/Black	NC	(Blue/White)
3	Red	11	White/Black	19	Pink/Black	NC	(Purple/White)
4	Green	12	Red/Black	20	Light green/Black	NC	(Grey/White)
5	Yellow	13	Green/Black	21	Black/White	NC	(Pink/White)
6	Brown	14	Yellow/Black	22	Red/White	NC	(Light green/White)
7	Blue	15	Brown/Black	23	Green/White		
8	Purple	16	Blue/Black	24	Yellow/White		