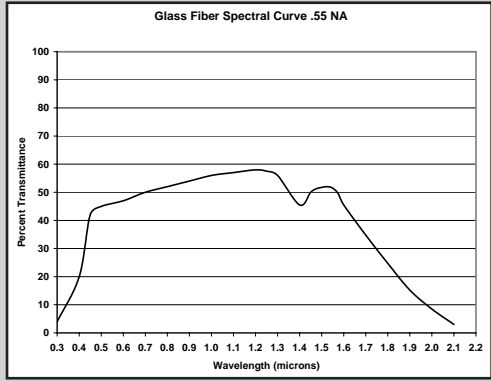
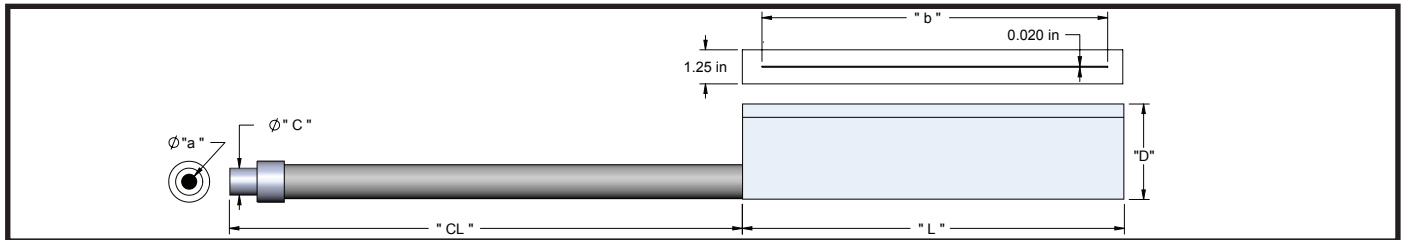


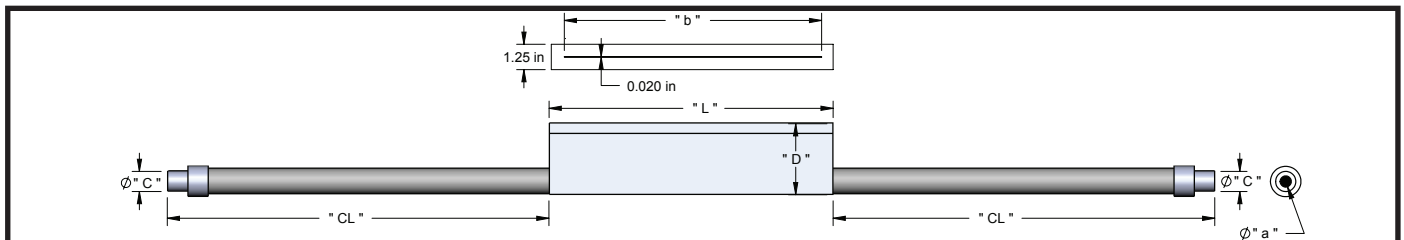
Glass Fiber Optic Line Lights - Borosilicate core/Borosilicate clad

Spectral Curve	Specifications	
	Individual Fiber Diameter	0.002" (0.051 mm) Typical; 0.001" (0.025 mm) Available
	Acceptance Cone	68.0°
	Numerical Aperture	.55
	Fiber Material	Core: Borosilicate Cladding: Borosilicate
	Temperature capabilities	-40°F to 220°F (-40°C to 107°C)
	Spectral Transmittance	400nm-2000nm (.40-2.0 microns)
	Minimum Bend Radius	1 1/2" for 1/8" and 1/16" bundle diameter / 3" for 1/4" bundle dia.
	Maximum Breakage	2%
	Housing Material	Anodized Black Aluminum Housing



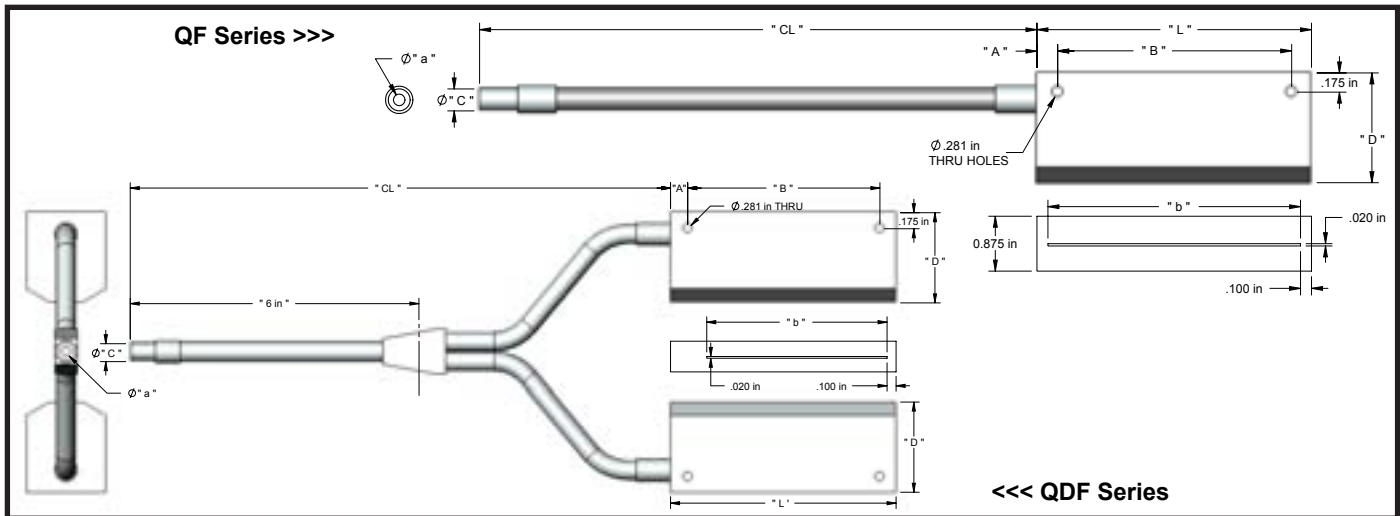
QF- Standard End Ferrule, PVC Sheathing, Rated for -40°F to 221°F

Model	Part #	a	b	c	L	D	CL
QF5536	700004840036	.550" (13.97mm)	12.00" (304.8mm)	.995" (25.3mm)	14.31" (363.5mm)	2.687" (68.25mm)	36" (914.40 mm) 48"
QF5548	700004840048						(1219.2 mm) 72"
QF5572	700004840072						(1828.8 mm)
QF7836	700004060036	.760" (19.30mm)	24.00" (609.6mm)	.995" (25.3mm)	26.31" (668.3mm)	2.687" (68.25mm)	36" (914.40 mm) 48"
QF7848	700004060048						(1219.2 mm) 144"
QF78144	700004060144						(3657 mm)



QF- Standard End Ferrule, PVC Sheathing, Rated for -40°F to 221°F

Model	Part #	a	b	c	L	D	CL
QF9648	700004910048	.679" (17.25mm)	36.00" (914.40mm)	.995" (25.3mm)	38.31" (973.1mm)	2.687" (68.25mm)	48" (1219.2 mm)
QF11048	700001470048	.778" (19.76mm)	48.00 (1219.2mm)	.995" (25.3mm)	50.3" (1277.6mm)	2.687" (68.25mm)	48" (1219.2 mm)
QF11072	700001470072						72" (1828.8 mm)
QF110120	700001470120						120" (3048.0mm)



QF- Standard End Ferrule, Stainless Steel Sheathing, Rated for -40°F to 221°F

Model	Part #	a	b	c	A	B	L	D	CL
QF2036	SK79200036								36" (914.40 mm)
QF2048	SK79200048	.20"	1.50"	.312"	.19"	2.13"	2.50"	1.50"	48" (1219.2 mm)
QF2072	SK79200072	(5.08mm)	(38.1mm)	(7.92mm)	(4.83mm)	(54.1mm)	(63.5mm)	(38.1mm)	72" (1828.8 mm)
QF2084	SK79200084								84" (2133.6 mm)
QF2048M	002114480048	.20"	1.50"	.588"	.19"	2.13"	2.50"	1.50"	48" (1219.2 mm)
QF2836	SK79210036	.28"	3.00"	.436"	.50"	3.00"	4.00"	2.00"	36" (914.40 mm)
QF2848	SK79210048	(7.11mm)	(76.2mm)	12.8mm	(12.7mm)	(76.2mm)	(101.6mm)	(50.8mm)	48" (1219.2 mm)
QF2872	SK79210072								72" (1828.8 mm)
QF2848M	002114410048	.28"	3.00"	.588"	.50"	3.00"	4.00"	2.00"	48" (1219.2 mm)
QF3936	SK79220036	.39"	6.00"	.562"	.50"	6.50"	7.50"	2.50"	36" (914.40 mm)
QF3948	SK79220048	(9.91mm)	(152mm)	(14.3mm)	(12.7mm)	(165.1mm)	(190.5mm)	(63.5mm)	48" (1219.2 mm)
QF3972	SK79220072								72" (1828.8 mm)
QF3948M	002114460048	.39"	6.00"	.588"	.50"	6.50"	7.50"	2.50"	48" (1219.2 mm)
QF5048	SK91190048	.50"	10.00"	.625"	.50"	10.50"	11.50"	2.50"	48" (1219.2 mm)
QF5072	SK91190072	(12.7mm)	(254mm)	(15.9mm)	(12.7mm)	(266.7mm)	(292.1mm)	(63.5mm)	72" (1828.8 mm)
QF5096	SK91190096								96" (2438.4 mm)

QDF- Standard End Ferrule, Stainless Steel Sheathing, Rated for -40°F to 221°F

Model	Part #	a	b	c	A	B	L	D	CL
QDF2048	SK79230048	.28"	1.50"	.436"	.19"	2.13"	2.50"	1.50"	48" (1219.2 mm)
QDF2072	SK79230072	(7.11mm)	(38.1mm)	12.8mm	(4.83mm)	(54.1mm)	(63.5mm)	(38.1mm)	72" (1828.8 mm)
QDF2048M	002114420048	.28"	1.50"	.588"	.19"	2.13"	2.50"	1.50"	48" (1219.2 mm)
QDF2848	SK79240048	.39"	3.00"	.562"	.50"	3.00"	4.00"	2.00"	48" (1219.2 mm)
QDF2872	SK79240072	(9.91mm)	(76.2mm)	(14.3mm)	(12.7mm)	(76.2mm)	(101.6mm)	(50.8mm)	72" (1828.8 mm)
QDF2896	SK79240096								96" (2438.4 mm)
QDF2848M	002114440048	.39"	3.00"	.588"	.50"	3.00"	4.00"	2.00"	48" (1219.2 mm)
QDF3948	SK79250048	.55" (14.0 mm)	6.00"	.625"	.50"	6.50"	7.50"	2.50"	48" (1219.2 mm)
QDF3972	SK79250072	(152mm)	(15.9mm)	(12.7mm)	(165.1mm)	(190.5mm)	(63.5mm)	(63.5mm)	72" (1828.8 mm)
QDF5048	SK91200048	.71"	10.00"	.995"	.50"	10.50"	11.50"	2.50"	48" (1219.2 mm)
QDF5052	SK91200052	(18.0mm)	(254mm)	(25.3mm)	(12.7mm)	(266.7mm)	(292.1mm)	(63.5mm)	52" (1320.8 mm)
QDF5072	SK91200072								72" (1828.8 mm)

Vision Light Tech B.V.

Protonenlaan 22, 5405 NE UDEN, P.O. Box 345, 5400 AH UDEN, The Netherlands

Phone: +31 (0)413 26 00 67, Fax +31 (0)413 26 09 38, E-mail: inquiry@vlt.nl, Website: www.vlt.nl

Trade register No. 17150044, VAT No. NL8112.30.946.B01