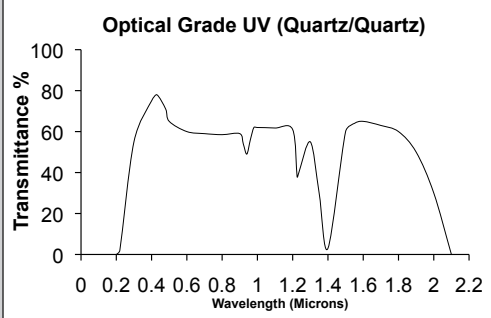
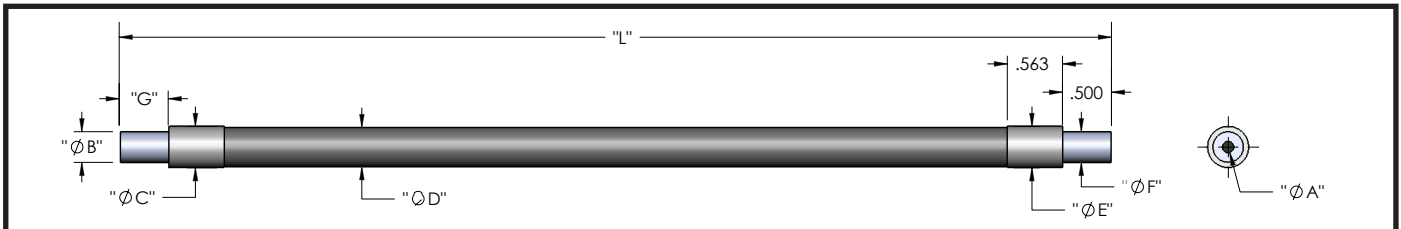


## Optical Grade UV - Silica core/Silica clad

Spectral Curve	Specifications
 <p><b>Optical Grade UV (Quartz/Quartz)</b></p> <p>Transmittance %</p> <p>Wavelength (Microns)</p>	Individual Fiber Diameter
	0.004" (0.10 mm)
	Acceptance Cone
	25.0°
	Numerical Aperture
	.22
	Fiber Material
	Core: Fused Silica Cladding: Fused Silica
Temperature capabilities	
-40°F to 2000°F (-40°C to 1093°C)	
Spectral Transmittance	
220nm-2100nm (.20-2.1 microns)	
Minimum Bend Radius	
1 ½" for 1/8" and 1/16" bundle diameter / 3" for ¼" bundle dia.	
Maximum Breakage	
10%	



## BXQ - Standard End Ferrule, Stainless Steel Sheathing, Rated for -40°F to 500°F

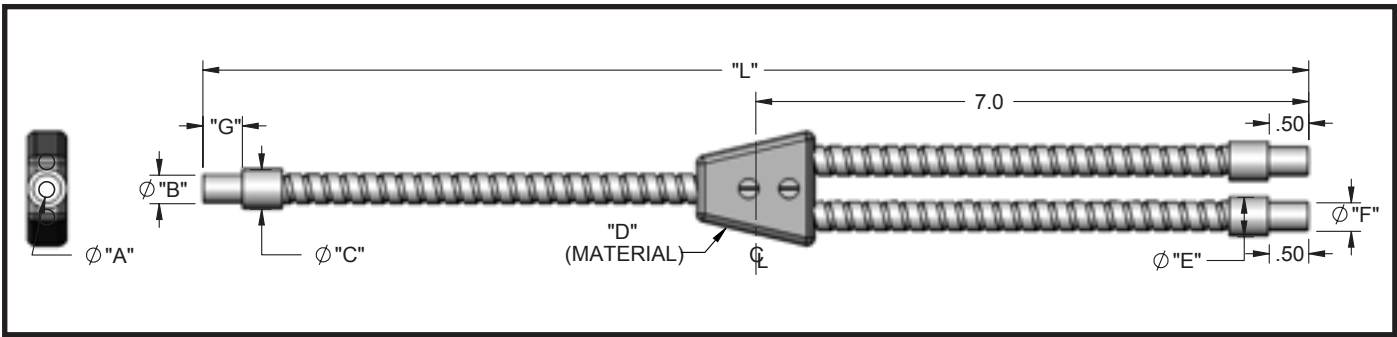
Model	Part #	A	B	C	D	E	F	G	L
BXQ636	002012036036	.062" (1.59mm)	.187" (4.75mm)	.281" (7.13mm)	.203" (5.16mm)	.281" (7.13mm)	.187" (4.75mm)	.50" (12.7mm)	36" (914.40 mm)
BXQ824	002012038024	.125" (3.18mm)	.187" (4.75mm)	.422" (10.7mm)	.345" (8.76mm)	.422" (10.7mm)	.187" (4.75mm)	.50" (12.7mm)	24" (609.6 mm)
BXQ836	002012038036								36" (914.40 mm)
BXQ860	002012038060								60" (1524.0 mm)
BXQ872	002012038072								72" (1828.8 mm)

## BXQH - Standard End Ferrule, Stainless Steel Sheathing, Rated for -40°F to 800°F

Model	Part #	A	B	C	D	E	F	G	L
BXQH624	002012046024	.062" (1.59mm)	.187" (4.75mm)	.281" (7.13mm)	.203" (5.16mm)	.281" (7.13mm)	.187" (4.75mm)	.50" (12.7mm)	24" (609.6 mm)
BXQH824	002012048024	.125" (3.18mm)	.187" (4.75mm)	.422" (10.7mm)	.345" (8.76mm)	.422" (10.7mm)	.187" (4.75mm)	.50" (12.7mm)	24" (609.6 mm)

## BXQS - Standard End Ferrule, Stainless Steel Sheathing, Rated for -40°F to 2000°F

Model	Part #	A	B	C	D	E	F	G	L
BXQS636	002012056036	.062" (1.59mm)	.187" (4.75mm)	.205" (5.2mm)	.190" (4.8mm)	.205" (5.2mm)	.187" (4.75mm)	.50" (12.7mm)	36" (914.40 mm)
BXQS854	002012058054	.125" (3.18mm)	.187" (4.75mm)	.312" (7.92mm)	.268" (6.81mm)	.312" (7.92mm)	.187" (4.75mm)	.50" (12.7mm)	54" (1371 mm)
BXQS860	002012058060								60" (1524.0 mm)
BXQS872	002012058072								72" (1828.8 mm)
BXQS884	002012058084								84" (2133.6 mm)
BXQS896	002012058096								96" (2438.4 mm)
BXQS424	002012054024	.250" (6.35mm)	.312" (7.92mm)	.656" (16.65mm)	.560" (14.22mm)	.656" (16.65mm)	.312" (7.92mm)	.50" (12.7mm)	24" (609.60 mm)
BXQS436	002012054036								36" (914.40 mm)



### EXQ- Standard End Ferrule, Stainless Steel Sheathing, Rated for -40°F to 500°F (at end ferrules)

Model	Part #	A	B	C	D	E	F	G	L
EXQ636	002024066036	.062"	.187"	.281	PVC Heat	.281	.187"	.50"	36" (914.40 mm)
EXQ696	002024066036	(1.59mm)	(4.75mm)	(7.13mm)	Shrink	(7.13mm)	(4.75mm)	(12.7mm)	96" (2438.4 mm)
EXQ836	002024068036								36" (914.40 mm)
EXQ860	002024068060								60" (1524.0 mm)
EXQ872	002024068072								72" (1828.8 mm)
EXQ884	002024068084	.125"	.187"	.422"	PVC Heat	.422"	.187"	.50"	84" (2133.6 mm)
EXQ896	002024068096	(3.18mm)	(4.75mm)	(10.7mm)	Shrink	(10.7mm)	(4.75mm)	(12.7mm)	96" (2438.4 mm)
EXQ8108	002024068108								108" (2743 mm)
EXQ8132	002024068132								132" (3352 mm)

### EXQH- Standard End Ferrule, Stainless Steel Sheathing, Rated for -40°F to 800°F (at end ferrules)

Model	Part #	A	B	C	D	E	F	G	L
EXQH8108	002024078108	.125"	.187"	.422"	PVC Heat	.422"	.187"	.50"	108" (2743 mm)
		(3.18mm)	(4.75mm)	(10.7mm)	Shrink	(10.7mm)	(4.75mm)	(12.7mm)	

### EXQS- Standard End Ferrule, Stainless Steel Sheathing, Rated for -40°F to 2000°F (at end ferrules)

Model	Part #	A	B	C	D	E	F	G	L
EXQS424	002024084024	.250"	.312"	.656"	PVC Heat	.656"	.312"	.50"	108" (2743 mm)
		(6.35mm)	(7.9mm)	(16.65mm)	Shrink	(16.65mm)	(7.9mm)	(12.7mm)	