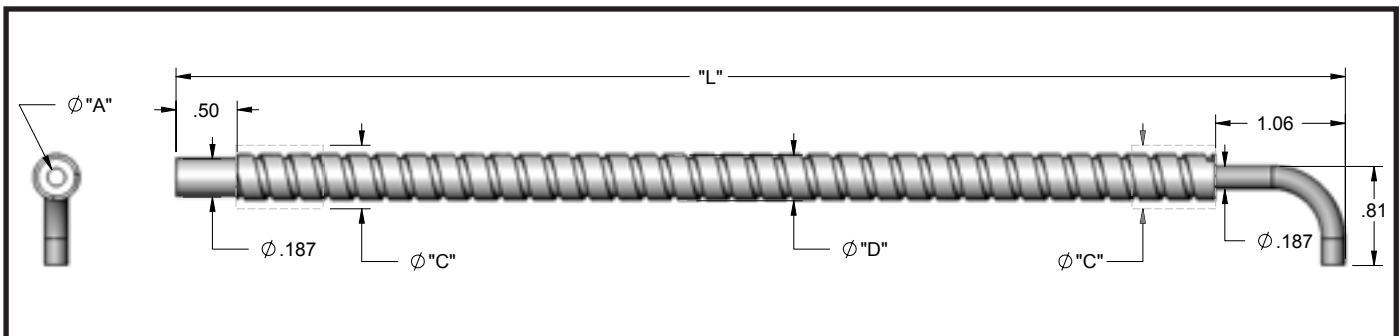


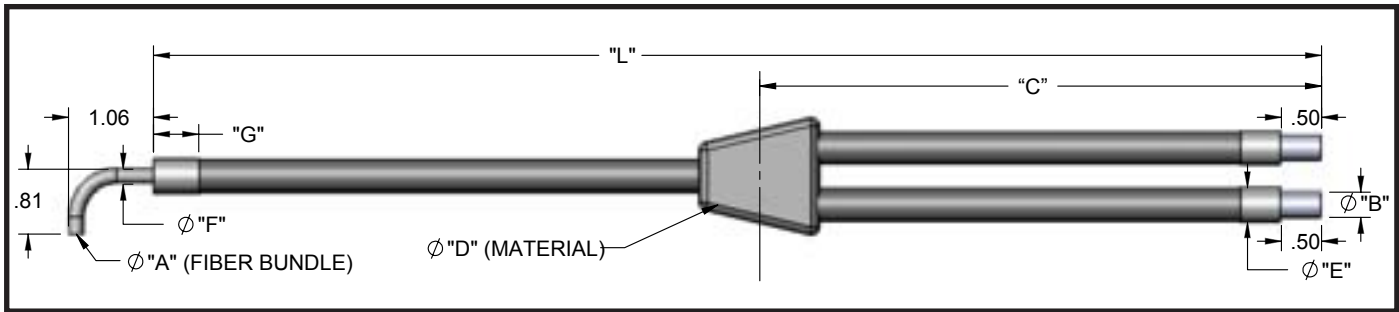
BL - Standard End Ferrule, PVC Monocoil Sheathing, Rated for -40°F to 225°F

Model	Part #	A	C	D	L
BL612	002112206012				12" (304.80 mm)
BL620	002112206020				20" (508.00 mm)
BL624	002112206024	.063"	.250"	.230"	24" (609.60 mm)
BL636	002112206036	(1.60 mm)	(6.35 mm)	(5.84 mm)	36" (914.40 mm)
BL648	002112206048				48" (1219.20 mm)
BL672	002112206072				72" (1828.80 mm)
BL824	002112208024	.125"	.250"	.230"	24" (609.60 mm)
		(3.18 mm)	(6.35 mm)	(5.84 mm)	
BL524	SK95260024	.156"	.312"	.268"	24" (609.60 mm)
BL536	SK95260036	(3.96 mm)	(7.92 mm)	(6.81 mm)	36" (914.40 mm)
BL5120	SK95260120				120" (3048.0mm)



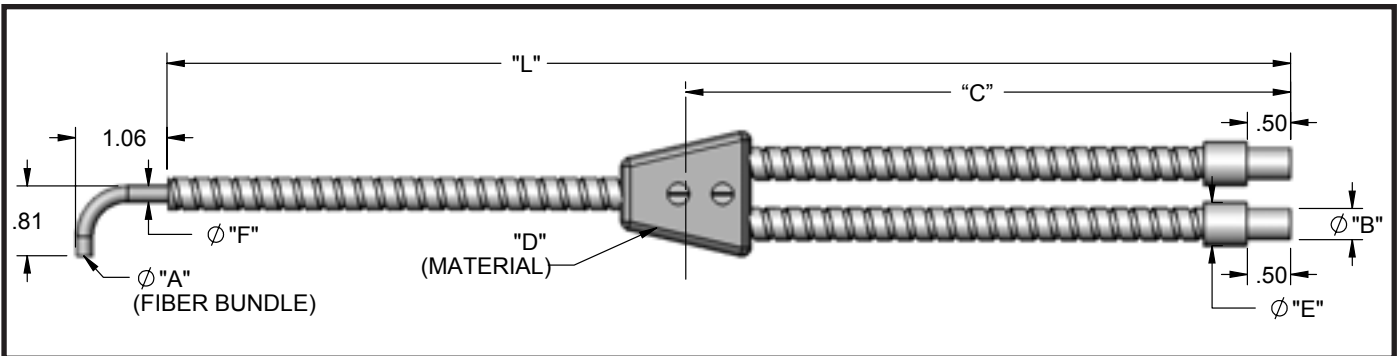
BXL- Standard End Ferrule, Stainless Steel Sheathing, Rated for -40°F to 500°F

Model	Part #	A	C	D	L
BXL636	002114206036	.063"	—	.244"	36" (914.40 mm)
BXL648	002114206048	(1.60 mm)		(6.20 mm)	48" (1219.20 mm)
BXL672	002114206072				72" (1828.80 mm)
BXL824	002114208024				24" (609.60 mm)
BXL836	002114208036				36" (914.40 mm)
BXL848	002114208048				48" (1219.20 mm)
BXL860	002114208060				60" (1524.00 mm)
BXL872	002114208072	.125"	—	.244"	72" (1828.80 mm)
BXL884	002114208084	(3.18 mm)		(6.20 mm)	84" (2133.60 mm)
BXL896	002114208096				96" (2438.40 mm)
BXL8120	002114208120				120" (3048.01 mm)
BXL8144	002114208144				144" (3657.61 mm)
BXL8240	002114208240				240" (6096.01 mm)
BXL536	002114205036	.156"	—	.306"	36" (914.40 mm)
BXL572	002114205072	(3.96 mm)		(7.77 mm)	72" (1828.80 mm)
BXL584	002114205084				84" (2133.60 mm)



EL - Standard End Ferrule, PVC Monocoil Sheathing, Rated for -40°F to 221°F

Model	Part #	A	B	C	D	E	F	L
EL624	002122206024							24" (609.60 mm)
EL636	002122206036	.0625	.187	7.00	PVC	.207	.187	36" (914.40 mm)
EL648	002122206048	(1.59 mm)	(4.75 mm)	(17.78mm)	Heatsrink	(5.26 mm)	(4.75 mm)	48" (1219.2 mm)
EL660	002122206060							60" (1524.0 mm)
EL672	002122206072							72" (1828.80 mm)
EL824	002122208024							24" (609.60 mm)
EL836	002122208036	.125	.187	7.00	PVC	.250	.187	36" (914.40 mm)
EL848	002122208048	(3.18 mm)	(4.75 mm)	(17.78mm)	Heatsrink	(6.35 mm)	(4.75 mm)	48" (1219.2 mm)
EL860	002122208060							60" (1524.0 mm)
EL872	002122208072							72" (1828.80 mm)



EXL - Standard End Ferrule, PVC Monocoil Sheathing, Rated for -40°F to 221°F

Model	Part #	A	B	C	D	E	F	L
EXL624	002124206024							24" (609.60 mm)
EXL636	002124206036	.0625	.187	7.00	Metal	-	.187	36" (914.40 mm)
EXL660	002124206060	(1.59 mm)	(4.75 mm)	(17.78mm)			(4.75 mm)	60" (1524.0 mm)
EXL672	002124206072							72" (1828.80 mm)
EXL824	002124208024							24" (609.60 mm)
EXL836	002124208036	.125	.187	7.00	Metal	-	.187	36" (914.40 mm)
EXL848	002124208048	(3.18 mm)	(4.75 mm)	(17.78mm)			(4.75 mm)	48" (1219.2 mm)
EXL860	002124208060							60" (1524.0 mm)
EXL872	002124208072							72" (1828.80 mm)

Vision Light Tech B.V.

Protonenlaan 22, 5405 NE UDEN, P.O. Box 345, 5400 AH UDEN, The Netherlands

Phone: +31 (0)413 26 00 67, Fax +31 (0)413 26 09 38, E-mail: inquiry@vlt.nl, Website: www.vlt.nl

Trade register No. 17150044, VAT No. NL8112.30.946.B01