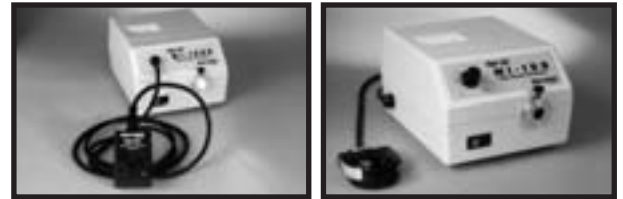




MI-150 Remote Systems 150 Watt Remote Control Illuminators



Standard Features:

- Low Noise, Low Vibration
- Easy Access Lamp Change
- Stackable Housing
- Solid State Intensity Control (0-100%)
- 3-Year Warranty
- UL Approved (115 V)

Accessories & Options:

- Optional 230 V AC Input
- Optional 12 ft. Controller Cord
- Optional Filter Holder & IR Filter

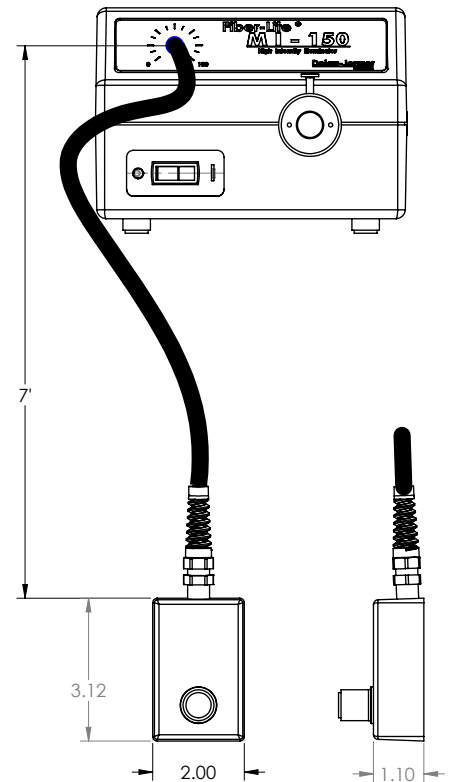
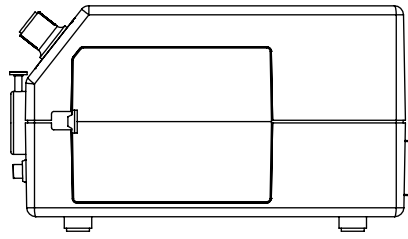
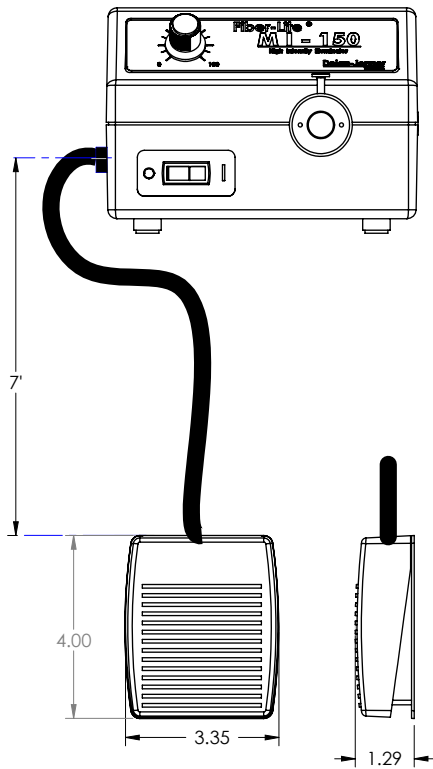
Technical Information

| | | |
|--------------------------------|--|--------------------|
| Model: | MI-150R | MI-150V |
| P/N: | 660000931010 | 660001070010 |
| Remote Controller: | On/Off, Variable Intensity | On/Off Foot Switch |
| Controller Cord Length: | 7 ft. | |
| Input: | 115 V AC (230 V AC optional) | 115 V AC |
| Lamp: | 150 Watt, 21 V, EKE qtz halogen | |
| Lamp Output: | 1750 Lumens at fiber optic insertion plane | |
| Color Temp.: | 3250° Kelvin at max. intensity | |
| Lamp Life: | 200 hrs. at max intensity | |
| Fiber Optic Interface: | 15mm | 15mm |
| Intensity Control: | Variable Solid State (0-100%) | |
| Fuse 115 V: | 3 Amp 5x20mm Slo-blow | |
| Fuse 230 V: | 2 Amp 5x20mm Slo-blow | N/A |
| Noise Level: | <25 dB | |
| Safety Certs: | UL (115V) | N/A |
| Dimensions: | 6.0" x 8.5" x 5.3"; 9.25 lbs | |

Options

| | | |
|--|--------------------------|-------------------------|
| 230v input: | MI-1501R 660000932020 | |
| 115v w/ 12 ft Cord: | MI-150T 660000941010 | |
| 115v w/ IR filter & holder: | | MI-150W 660001070011 |

MI-150 Remote Dimensions:



Dolan-Jenner
industries

Dolan-Jenner Industries
159 Swanson Rd.
Dorchester, MA 01919 USA

Phone: 800.833.4237
Fax: 978.264.0292
Email: support@dolan-jenner.com

Vision Light Tech B.V.

Protonenlaan 22, 5405 NE UDEN, P.O. Box 345, 5400 AH UDEN, The Netherlands

Phone: +31 (0)413 26 00 67, Fax +31 (0)413 26 09 38, E-mail: inquiry@vlt.nl, Website: www.vlt.nl

Trade register No. 17150044, VAT No. NL8112.30.946.B01