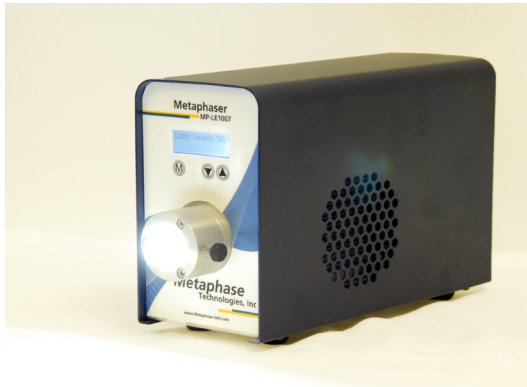


LED

MetaBright™ LED Light Engine Model:MB-LE2007



Vision Light Tech
creating optical solutions



Metaphase Technologies MetaPhaser® LED MetaBright light engine with Super High Output are now available. Up to a 1400 % intensity improvement over 150 watt Halogen Hot Lights can now be achieved. Metaphase Technology Inc. sets a new performance benchmark with cool white LED intensities similar to a 250W Metal Halide light sources. The system is ideal for replacing older generation "hot light" fiber based illuminator systems and for green technology efficiency upgrade programs.

These systems are compact in size, economically priced, and very simple to operate. Each system is factory calibrated and pre-aligned for a corresponding nose piece adapter that ensures compatibility for new and retrofit fiber based light systems. No optical adjustments are required.

BENEFITS:

- Ideal for replacing older generation "hot light" fiber based illuminator systems
- Ideal for green technology efficiency upgrade programs
- Designed for fiber optics with light acceptance areas of 6 - 20mm
- Can mechanically accept fiber optics with outer housing diameter up to 20mm with Metaphase adaptor
- Digital-optical dimming control provides excellent color stability
- Similar to the brightness levels of 250-watt metal halide fiber illuminator technology
- Long life-time (75,000 hours)
- Lower power consumption (less than 100 watts)
- 60x less energy consumption than comparable "hot lights"
- Consistent color temperature during dimming and over time

APPLICATIONS:

- Microscopy
- Industrial Borescopes
- Inspection Systems
- Machine Vision
- High Speed QC
- Small Space Apps

RATINGS:



DOMINANT WAVELENGTH:

Part #	Color	Power Supply
MB-LE1007-W-24	White 5500K	
MB-LE1007-R-24	Red 630nm	
MB-LE1007-B-24	Blue 470nm	
MB-LE1007-G-24	Green 530nm	24 volt power supply available upon request.
MB-LE1007-IRN-24	Infrared 850nm	
MB-LE1007-IRL-24	Infrared 880nm	
MB-LE1007-UVL-24	UV 395nm	
MB-LE1007-UVS-24	UV 365nm	
MB-LE1007-RGB-24	625nm / 530nm / 470nm (3 die packaging technology)	

10 ft. flying leads come standard on all products.
Light features built-in constant current driver.
No expensive controller required.

Vision Light Tech B.V.

Protonenlaan 22, 5405 NE UDEN, P.O. Box 345, 5400 AH UDEN, The Netherlands

Phone: +31 (0)413 26 00 67, Fax +31 (0)413 26 09 38, E-mail: inquiry@vlt.nl, Website: www.vlt.nl

Trade register No. 17150044, VAT No. NL8112.30.946.B01

LED

MetaBright™ LED Light Engine Model:MB-LE1007



Vision Light Tech
creating optical solutions

ELECTRICAL & CONTROLS:

Current Consumption	5A @ 12VDC
Light Intensity	+/-5%
Illuminance	6000 Lumens 1.7million Lux 2.2 Millon Lux with optional Optical Condenser
Operating Temperature	-40°F(-45°) to 100°F (37.8°C)
Lifetime Hours	75,000 Hours

HOUSING:

Dimensions	Length: 12.01in / 305.1mm Width: 4.10in / 104.1mm Height: 7.15in / 181.7mm
Weight	4lb / 1814g
Housing	Aluminum
Finish	Pearl Night Blue

Unit Power Supply:

PS1007 12VDC Power Supply Included with Purchase

Screen Shots:



Image above shows the current Version of the MetaBOS Software and the initial launch screen.



This image displays menu to change the intensity of the Metaphaser using the up and down arrows. (0% - 100%)

Vision Light Tech B.V.

Protonenlaan 22, 5405 NE UDEN, P.O. Box 345, 5400 AH UDEN, The Netherlands

Phone: +31 (0)413 26 00 67, Fax +31 (0)413 26 09 38, E-mail: inquiry@vlt.nl, Website: www.vlt.nl

Trade register No. 17150044, VAT No. NL8112.30.946.B01

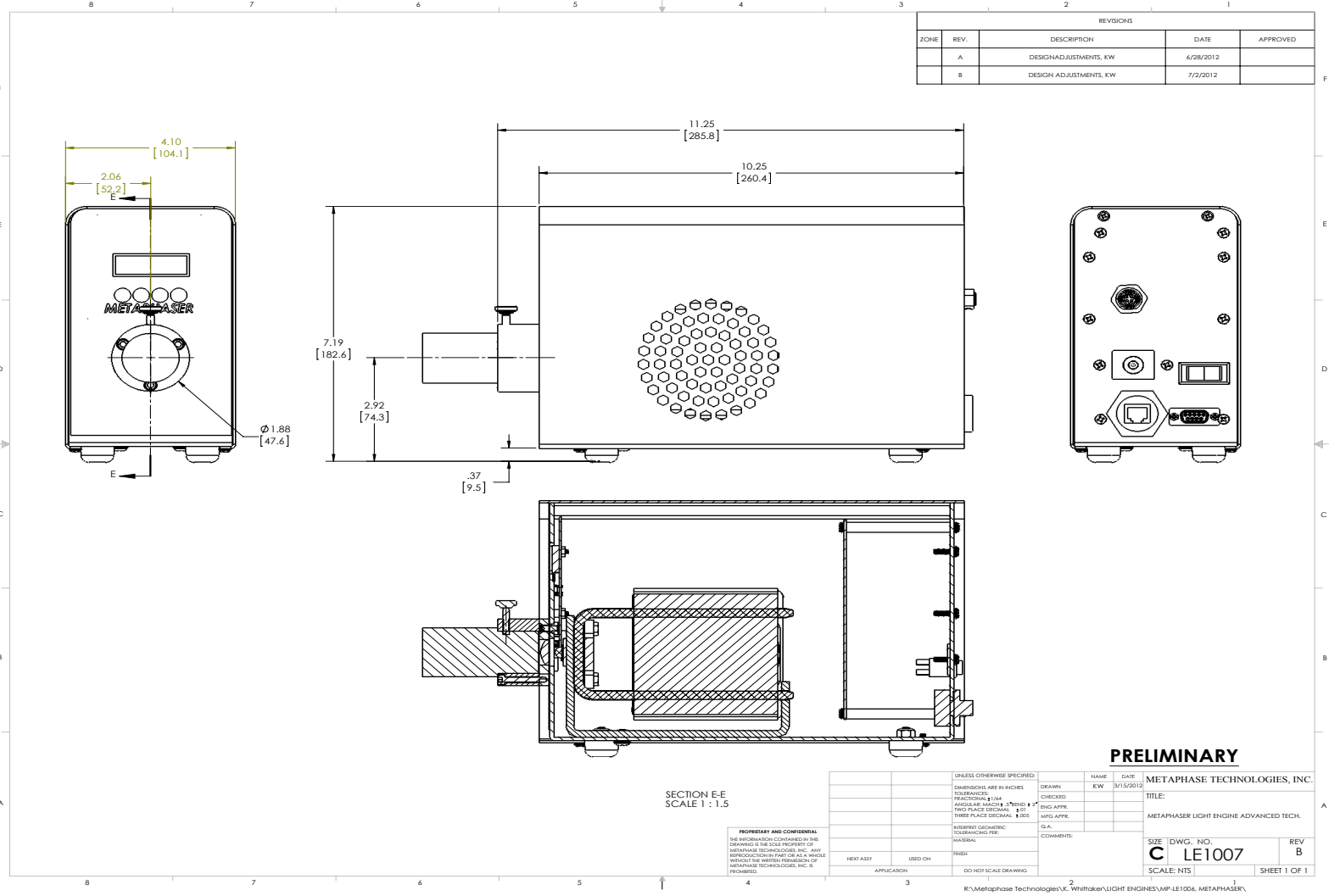
LED

MetaBright™ LED Light Engine Model:MB-LE1007



Vision Light Tech
creating optical solutions

DRAWING & DETAILS:



PRELIMINARY

SECTION E-E
SCALE 1 : 1.5

PROPRIETARY AND CONFIDENTIAL
THE INFORMATION CONTAINED IN THIS
DRAWING IS THE SOLE PROPERTY OF
METAPHASE TECHNOLOGIES, INC. ANY
REPRODUCTION IN PART OR AS A WHOLE
WITHOUT THE WRITTEN PERMISSION OF
METAPHASE TECHNOLOGIES, INC. IS
PROHIBITED.

UNLESS OTHERWISE SPECIFIED:		NAME	DATE	METAPHASE TECHNOLOGIES, INC.	
DIMENSIONS ARE IN INCHES	DRAWN	EW	3/15/2012	TITLE:	
TOLERANCES UNLESS OTHERWISE SPECIFIED:	CHECKED			METAPHASER LIGHT ENGINE ADVANCED TECH.	
FRACTIONAL & 1/4	ENG APPE			SIZE DWG. NO.	
ANGULAR MATCH 1/16" MIN	ENG APPE			C LE1007	
2/32 PLACE DECIMAL 0.005	ENG APPE			SCALE: NTS	
3/32 PLACE DECIMAL 0.005	ENG APPE			REV B	
SMALLEST DIMENSIONS UNLESS OTHERWISE SPECIFIED:	Q.A.			SHEET 1 OF 1	
TOLERANCES PER ASME Y14.5	COMMENTS:				
GENERAL					
APPLICATION	USED ON				

ORDERING INFORMATION:

• MB - LE 1007 - □ - 24 -

W- White 6000k
R- Red 630nm
G- Green 530nm
B- Blue 470 nm

Vision Light Tech B.V.

Protonenlaan 22, 5405 NE UDEN, P.O. Box 345, 5400 AH UDEN, The Netherlands
 Phone: +31 (0)413 26 00 67, Fax +31 (0)413 26 09 38, E-mail: inquiry@vlt.nl, Website: www.vlt.nl
 Trade register No. 17150044, VAT No. NL8112.30.946.B01