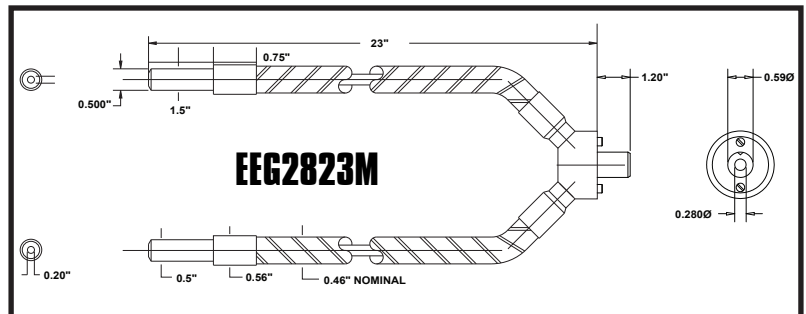
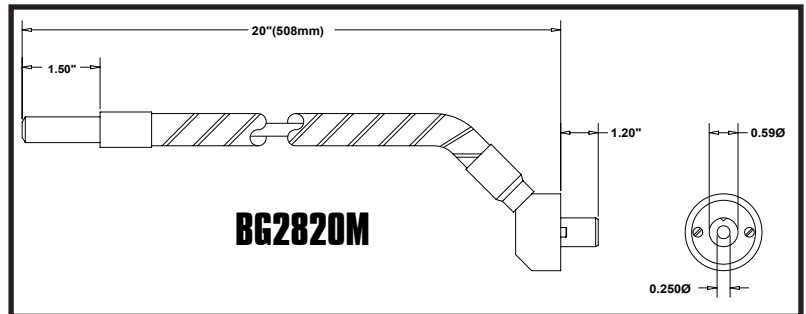




## MI-150 Gooseneck Systems Single or Dual Gooseneck Illumination



### Standard Features:

- Self-Supporting Gooseneck
- Adjustable Light Positioning
- LH-759 Light-Focusing Lens
- Low Noise, Low Vibration
- Easy Access Lamp Change
- Stackable Housing
- Solid state intensity control (0-100%)
- 3-Year Warranty
- UL/C-UL, CE

### Accessories & Options:

- 230V Input
- LHP-PLZ Polarizer for LH-759 Lens
- Filter Holder, with IR and Color Filter Options

### Model Number

<b>MI-150</b>	U.S./Canada: 115V Cord
<b>MI-1501</b>	Europe: 230V Cord

### Option Description

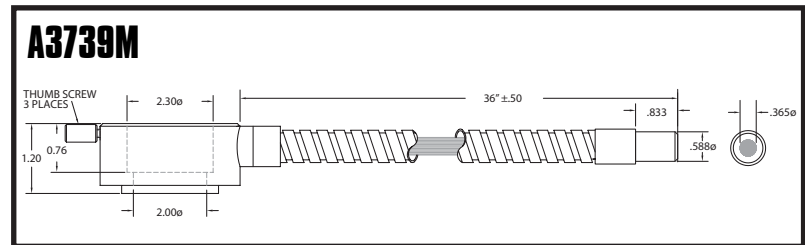
<b>MI-150SG</b>	BG2820M Standard Single Gooseneck, (1) LH759 Focusing Lens
<b>MI-150SG1</b>	230V Cord, BG2820M Standard Single Gooseneck, (1) LH759 Focusing Lens
<b>MI-150SGF</b>	Option SG, Plus IR Filter & Holder
<b>MI-150SG1F</b>	230V Cord, Option SG, Plus IR Filter & Holder
<b>MI-150DG</b>	EEG2823M Standard Dual Gooseneck, (2) LH759 Focusing Lenses
<b>MI-150DG1</b>	230V Cord, EEG2823M Standard Dual Gooseneck, (2) LH759 Focusing Lenses
<b>MI-150DGF</b>	Option DG, Plus IR Filter & Holder
<b>MI-150DG1F</b>	230V Cord, Option DG, Plus IR Filter & Holder

**For Full MI-150 Technical Detail, Please Refer to MI-150 Series Illuminators Page.**



# MI-150 Ringlight Systems

## Ringlight Illumination



### Standard Features:

- High Intensity at High Magnifications and Long Working Distances
- 360° Shadow-Free Illumination
- Low Noise, Low Vibration
- Easy Access Lamp Change
- Stackable Housing
- Solid state intensity control (0-100%)
- 3-Year Warranty
- UL/C-UL, CE

### Accessories & Options:

- 230V Input
- Microscope-Specific, Direct Fit Adapters
- Filter Holder, with IR and Color Filter Options

### Model Number

MI-150	U.S./Canada: 115V Cord
MI-1501	Europe: 230V Cord

### Option Suffix Description

MI-150RL	A3739M Standard Ringlight
MI-150RL1	230V Cord, A3739M Standard Ringlight
MI-150RLF	Option RL, plus IR filter & holder
MI-150RA	Fits Nikon SMZ Series Microscope
MI-150RB	66 mm ID Universal Fit, 25° Transition
MI-150RC	66 mm ID Universal Fit, Straight Transition
MI-150RD	Fits Olympus SZ30, -40, -50 Series Microscopes
MI-150RG	Fits Leica S4E, S6D/E, S8APO Microscopes
MI-150RU	Fits Unitron ZST, ZSB (w/o aux lens) Microscope

**For Full MI-150 Technical Detail, Please Refer to MI-150 Series Illuminators Page.**

**To Determine the Proper Microscope Adapter Needed for Your Application, Please Refer to Ringlight Adapters Page.**

**No Fiber Optic Interface Adapters Required for MI-Series**

**See Ring Light Section for Full Technical Detail**

# Dolan-Jenner

industries

Dolan-Jenner Industries Phone: 800.833.4237  
 159 Swanson Rd. Fax: 978.264.0292  
 Danvers, MA 01929 USA Email: support@dolan-jenner.com

### Vision Light Tech B.V.

Protonenlaan 22, 5405 NE UDEN, P.O. Box 345, 5400 AH UDEN, The Netherlands

Phone: +31 (0)413 26 00 67, Fax +31 (0)413 26 09 38, E-mail: inquiry@vlt.nl, Website: www.vlt.nl

Trade register No. 17150044, VAT No. NL8112.30.946.B01