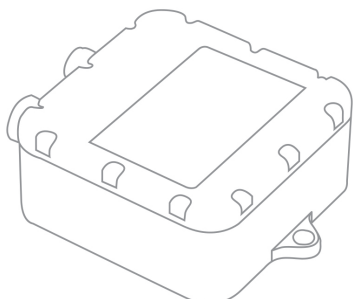


**HIGH POWER SMART BRICK LIGHT**

**ELSB SERIES**



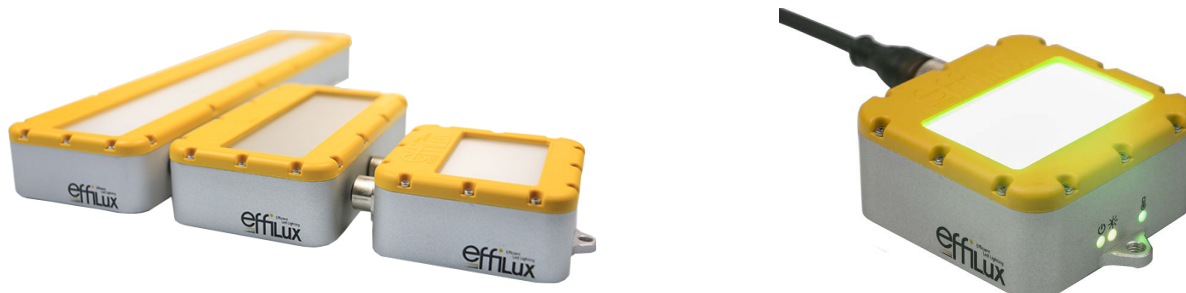
The ELSB Series has a double row of **high-powered** LED, to answer to increased line speeds in Machine Vision Applications.

Like the ELB Series, the ELSB is highly **flexible** and allows for easy adjustment of the lens positioning and diffuser plates. The ELSB Series has an **IP67 rating** to cope with harsher working environments, where dust and water are constant factor.

The **integrated controller** of the ELSB Series allows for flexibility to the user. With this integrated controller, the user can dim the ELSB Series to the requirement illumination level. The user can also make use of the strobe functionality, increasing the intensity with 700%.

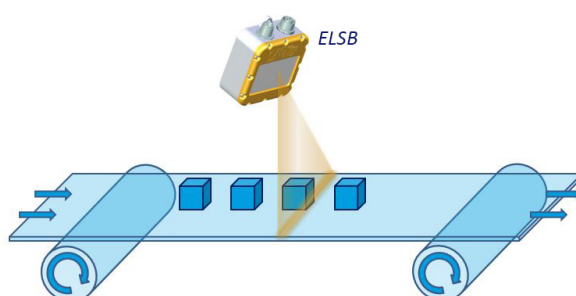
**MAIN FEATURES**

- Very intense and uniform illuminated area
- Long lifetime and few maintenance
- Waterproof
- Chainable : Double I/O connectors
- Flexible: Adjustable illumination angles (4 angles) & different windows



Connector	2 x M12 - 5 contacts (1 male & 1 female)
Power supply	24V DC
Illumination mode	Strobe or continuous mode
Electronical mode	Auto-strobe
Available wavelength	White, UV, Blue, Green, Red, IR
Available sizes	3 available sizes: 55mm, 105mm & 285mm
Width x Height	32mm x 87mm
Fastener	4 x M4 screw + 4 x M3 screw + 2 x M4 holes
Material	Device body: Aluminum alloy & ABS; Window: PMMA
Working temperature	0° to 50° C
IP code	IP67

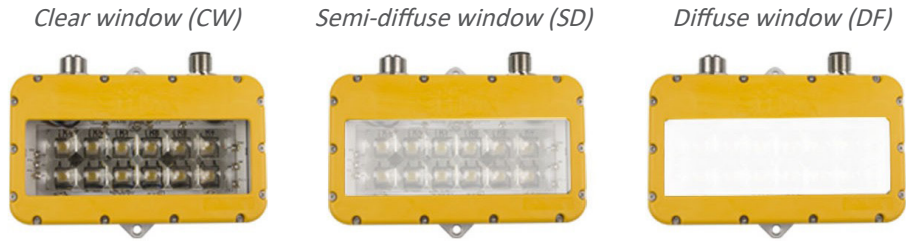
**APPLICATIONS**



## OPTICAL FLEXIBILITY

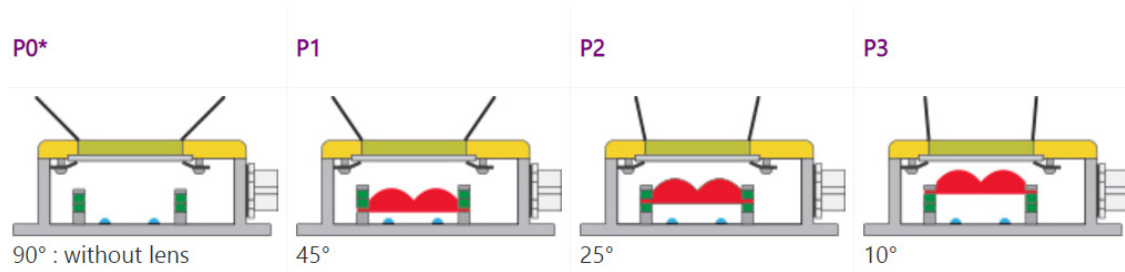
### Window

The ELSB Series is shipped with three different diffusers. Depending on what uniformity is needed for the application, the user can select and easily change to the diffuser that fulfills the application requirements.



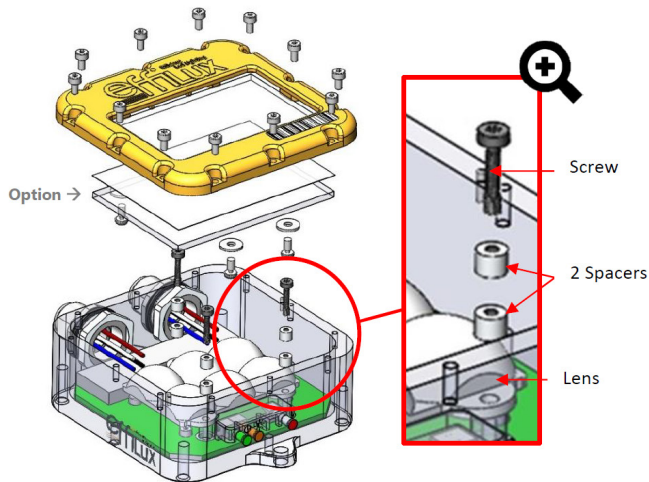
### Lens Position

The ELSB Series offers flexibility in its lens positioning, which can be easily adjusted to depending on the irradiation distance.



### How to change the configuration of the ELB

The lens positioning can be configured by adjusting the two spacers and the lens array inside the ELSB Series.

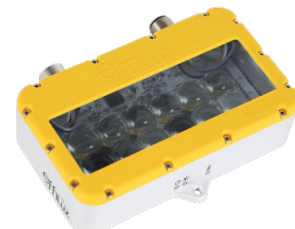


(Scheme: P1 configuration)

- 1 Unscrew the screws
  - 2 Take out the plastic cover
  - 3 Unscrew the screws on the block of lenses
  - 4 Take out the 2 spacers
  - 5 Replace the lenses in the right position
  - 6 Screw the block of lenses & the cover **0.2 N.m**
- Torx Screwdriver  
Size : T6

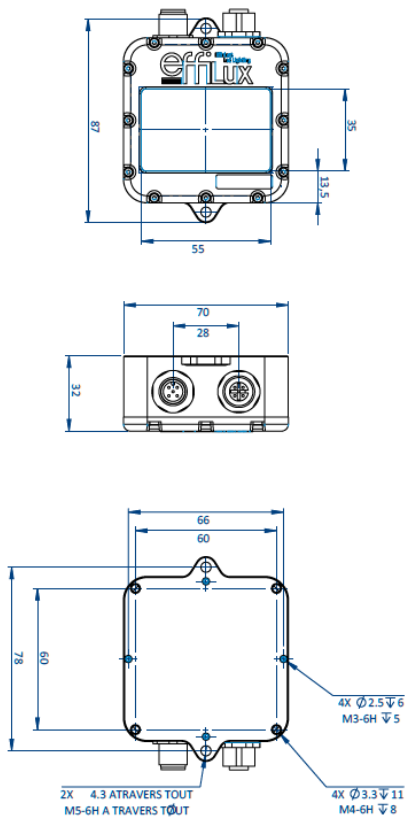
### Optical option

With the polarizer for the ELB Series, it is possible to eliminate glare from your workpiece, making it easier to acquire a suitable image for your application.

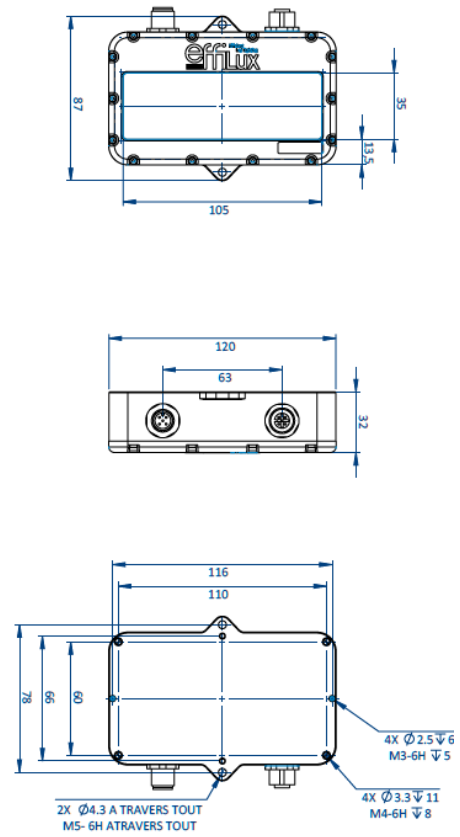


## DIMENSIONS (MM)

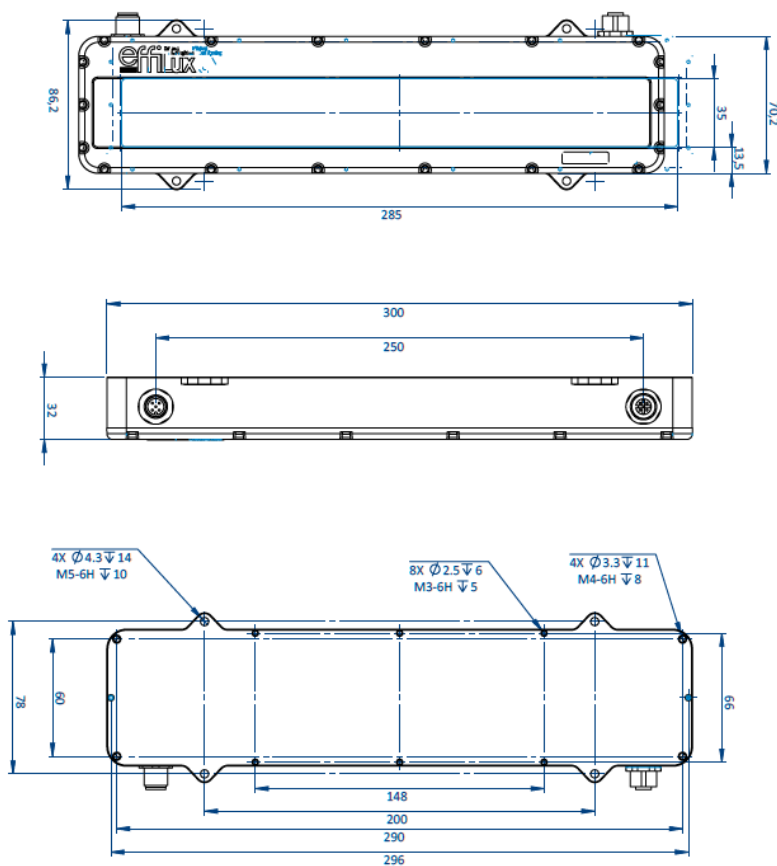
### ELSB-55



### ELSB-105



### ELSB-285



## ELECTRONICAL SPECIFICATIONS



### Contact arrangement

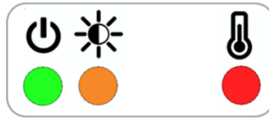
When using the ELSB Series, please use a 24V DC.

Contact arrangement	Number	Color Contact	Designation
<p>MALE FEMALE</p> <p>M12 male &amp; female connectors</p>	1	Brown	+24V
	2	White	NPN TRIGGER (trigger on falling edge) for Auto-strobe Light ON if $V_{NPN} < 1.5V$ DC max consumption = 0.1 mA - max 24V - Analog Voltage
	3	Blue	GND
	4	Black	PNP TRIGGER [trigger for rising edge] for Auto-strobe Light ON if $V_{PNP} > 3V$ DC max consumption = 2mA - max 24V - Analog Voltage
	5	Grey	AIC: Analog Intensity Control for Dimming Control Consumption = 1mA @ 10V & 2mA @ 24V - max 24V - Analog Voltage

### Electronical Modes

ELECTRONICAL MODES						
Mode	Designation	Contact arrangement				
		pin1	pin2	pin3	pin4	pin5
<p><b>AUTOSTROBE</b></p>	<p>PNP: Strobe control triggered on rising edge.</p> <p>N.B: For the strobe mode please respect a duty cycle (DC) lower than 0.25.</p>	+24V	not connected (≠ 0V)	GND	> 3Vdc max 24Vdc	not connected (≠ 0V)
	<p>NPN: Strobe control triggered on falling edge.</p> <p>N.B: For the strobe mode please respect a duty cycle (DC) lower than 0.25.</p>	+24V	< 1.5Vdc	GND	not connected (≠ 0V)	not connected (≠ 0V)
<p><b>DIMMING CONTROL</b></p>	<p>Analog intensity control</p> <p>LED OFF: 0-3V LED ON: 3V (40%) - 10V (100%) LED ON: 10-24V (100%)</p>	+24V	not connected (≠ 0V)	GND	not connected (≠ 0V)	AIC: 0-24V See scheme
<p><b>TEST MODE</b></p>	<p>LED are supplied with <math>I_{max}</math> (700%) until default temperature is activated. Do not use with external trigger, just for continuous.</p> <p>Signal consumption : 4mA Do not touch the product (WARM)</p>	+24V	> 3Vdc max 24Vdc (or not connected)	GND	> 3Vdc max 24Vdc	> 3Vdc max 24Vdc

## LED INDICATOR



**Green LED ON:** Power Supply Connected

**Red LED ON:** Default Temperature at 65°C

**⚠ Do not touch the product! Please wait 5 minutes before handling the product again.**

**Orange LED ON:** Mode

Mode	Frequency
PNP & NPN	Flash at the light frequency
AIC	Flash at 1 Hz
TEST	Flash at 6 Hz

## PRODUCT LINE UP

Power consumption is given for white products.

### ELSB-55

Series	Part Number	Color	Wavelength / Color temperature	Max Power Consumption	Diffuser	Lens Position	Connectors	Weight
ELSB	ELSB-55SW-CW-P0	White	5500 K ± 500 K	15W	Clear Window	P0 (without lens)	2 x M12-5 (M&F)	180g
ELSB	ELSB-55UV-CW-P0	Ultraviolet	405nm					
ELSB	ELSB-55BL-CW-P0	Blue	465nm					
ELSB	ELSB-55GR-CW-P0	Green	525nm					
ELSB	ELSB-55RD-CW-P0	Red	625nm					
ELSB	ELSB-55IR-CW-P0	Infrared	850nm					
ELSB	ELSB-55SW-CW-P1	White	5500 K ± 500 K	15W	Clear Window	P1	2 x M12-5 (M&F)	180g
ELSB	ELSB-55UV-CW-P1	Ultraviolet	405nm					
ELSB	ELSB-55BL-CW-P1	Blue	465nm					
ELSB	ELSB-55GR-CW-P1	Green	525nm					
ELSB	ELSB-55RD-CW-P1	Red	625nm					
ELSB	ELSB-55IR-CW-P1	Infrared	850nm					
ELSB	ELSB-55SW-CW-P2	White	5500 K ± 500 K	15W	Clear Window	P2	2 x M12-5 (M&F)	180g
ELSB	ELSB-55UV-CW-P2	Ultraviolet	405nm					
ELSB	ELSB-55BL-CW-P2	Blue	465nm					
ELSB	ELSB-55GR-CW-P2	Green	525nm					
ELSB	ELSB-55RD-CW-P2	Red	625nm					
ELSB	ELSB-55IR-CW-P2	Infrared	850nm					
ELSB	ELSB-55SW-CW-P3	White	5500 K ± 500 K	15W	Clear Window	P3	2 x M12-5 (M&F)	180g
ELSB	ELSB-55UV-CW-P3	Ultraviolet	405nm					
ELSB	ELSB-55BL-CW-P3	Blue	465nm					
ELSB	ELSB-55GR-CW-P3	Green	525nm					
ELSB	ELSB-55RD-CW-P3	Red	625nm					
ELSB	ELSB-55IR-CW-P3	Infrared	850nm					
ELSB	ELSB-55SW-SD-P0	White	5500 K ± 500 K	15W	Semi-diffuse Window	P0 (without lens)	2 x M12-5 (M&F)	180g
ELSB	ELSB-55UV-SD-P0	Ultraviolet	405nm					
ELSB	ELSB-55BL-SD-P0	Blue	465nm					
ELSB	ELSB-55GR-SD-P0	Green	525nm					
ELSB	ELSB-55RD-SD-P0	Red	625nm					
ELSB	ELSB-55IR-SD-P0	Infrared	850nm					
ELSB	ELSB-55SW-SD-P1	White	5500 K ± 500 K	15W	Semi-diffuse Window	P1	2 x M12-5 (M&F)	180g
ELSB	ELSB-55UV-SD-P1	Ultraviolet	405nm					
ELSB	ELSB-55BL-SD-P1	Blue	465nm					
ELSB	ELSB-55GR-SD-P1	Green	525nm					
ELSB	ELSB-55RD-SD-P1	Red	625nm					
ELSB	ELSB-55IR-SD-P1	Infrared	850nm					
ELSB	ELSB-55SW-SD-P2	White	5500 K ± 500 K	15W	Semi-diffuse Window	P2	2 x M12-5 (M&F)	180g
ELSB	ELSB-55UV-SD-P2	Ultraviolet	405nm					
ELSB	ELSB-55BL-SD-P2	Blue	465nm					
ELSB	ELSB-55GR-SD-P2	Green	525nm					
ELSB	ELSB-55RD-SD-P2	Red	625nm					
ELSB	ELSB-55IR-SD-P2	Infrared	850nm					
ELSB	ELSB-55SW-SD-P3	White	5500 K ± 500 K	15W	Semi-diffuse Window	P3	2 x M12-5 (M&F)	180g
ELSB	ELSB-55UV-SD-P3	Ultraviolet	405nm					
ELSB	ELSB-55BL-SD-P3	Blue	465nm					
ELSB	ELSB-55GR-SD-P3	Green	525nm					
ELSB	ELSB-55RD-SD-P3	Red	625nm					
ELSB	ELSB-55IR-SD-P3	Infrared	850nm					

Series	Part Number	Color	Wavelength / Color temperature	Max Power Consumption	Diffuser	Lens Position	Connectors	Weight
ELSB	ELSB-55SW-DF-P0	White	5500 K ± 500 K	15W	Diffuse Window	P0 (without lens)	2 x M12-5 (M&F)	180g
ELSB	ELSB-55UV-DF-P0	Ultraviolet	405nm					
ELSB	ELSB-55BL-DF-P0	Blue	465nm					
ELSB	ELSB-55GR-DF-P0	Green	525nm					
ELSB	ELSB-55RD-DF-P0	Red	625nm					
ELSB	ELSB-55IR-DF-P0	Infrared	850nm	15W	Diffuse Window	P1	2 x M12-5 (M&F)	180g
ELSB	ELSB-55SW-DF-P1	White	5500 K ± 500 K					
ELSB	ELSB-55UV-DF-P1	Ultraviolet	405nm					
ELSB	ELSB-55BL-DF-P1	Blue	465nm					
ELSB	ELSB-55GR-DF-P1	Green	525nm					
ELSB	ELSB-55RD-DF-P1	Red	625nm					
ELSB	ELSB-55IR-DF-P1	Infrared	850nm	15W	Diffuse Window	P2	2 x M12-5 (M&F)	180g
ELSB	ELSB-55SW-DF-P2	White	5500 K ± 500 K					
ELSB	ELSB-55UV-DF-P2	Ultraviolet	405nm					
ELSB	ELSB-55BL-DF-P2	Blue	465nm					
ELSB	ELSB-55GR-DF-P2	Green	525nm					
ELSB	ELSB-55RD-DF-P2	Red	625nm					
ELSB	ELSB-55IR-DF-P2	Infrared	850nm	15W	Diffuse Window	P3	2 x M12-5 (M&F)	180g
ELSB	ELSB-55SW-DF-P3	White	5500 K ± 500 K					
ELSB	ELSB-55UV-DF-P3	Ultraviolet	405nm					
ELSB	ELSB-55BL-DF-P3	Blue	465nm					
ELSB	ELSB-55GR-DF-P3	Green	525nm					
ELSB	ELSB-55RD-DF-P3	Red	625nm					
ELSB	ELSB-55IR-DF-P3	Infrared	850nm					

## ELSB-105

Series	Part Number	Color	Wavelength / Color temperature	Max Power Consumption	Diffuser	Lens Position	Connectors	Weight
ELSB	ELSB-105SW-CW-P0	White	5500 K ± 500 K	30W	Clear Window	P0 (without lens)	2 x M12-5 (M&F)	300g
ELSB	ELSB-105UV-CW-P0	Ultraviolet	405nm					
ELSB	ELSB-105BL-CW-P0	Blue	465nm					
ELSB	ELSB-105GR-CW-P0	Green	525nm					
ELSB	ELSB-105RD-CW-P0	Red	625nm					
ELSB	ELSB-105IR-CW-P0	Infrared	850nm	30W	Clear Window	P1	2 x M12-5 (M&F)	300g
ELSB	ELSB-105SW-CW-P1	White	5500 K ± 500 K					
ELSB	ELSB-105UV-CW-P1	Ultraviolet	405nm					
ELSB	ELSB-105BL-CW-P1	Blue	465nm					
ELSB	ELSB-105GR-CW-P1	Green	525nm					
ELSB	ELSB-105RD-CW-P1	Red	625nm					
ELSB	ELSB-105IR-CW-P1	Infrared	850nm	30W	Clear Window	P2	2 x M12-5 (M&F)	300g
ELSB	ELSB-105SW-CW-P2	White	5500 K ± 500 K					
ELSB	ELSB-105UV-CW-P2	Ultraviolet	405nm					
ELSB	ELSB-105BL-CW-P2	Blue	465nm					
ELSB	ELSB-105GR-CW-P2	Green	525nm					
ELSB	ELSB-105RD-CW-P2	Red	625nm					
ELSB	ELSB-105IR-CW-P2	Infrared	850nm	30W	Clear Window	P3	2 x M12-5 (M&F)	300g
ELSB	ELSB-105SW-CW-P3	White	5500 K ± 500 K					
ELSB	ELSB-105UV-CW-P3	Ultraviolet	405nm					
ELSB	ELSB-105BL-CW-P3	Blue	465nm					
ELSB	ELSB-105GR-CW-P3	Green	525nm					
ELSB	ELSB-105RD-CW-P3	Red	625nm					
ELSB	ELSB-105IR-CW-P3	Infrared	850nm	30W	Semi-diffuse Window	P0 (without lens)	2 x M12-5 (M&F)	300g
ELSB	ELSB-105SW-SD-P0	White	5500 K ± 500 K					
ELSB	ELSB-105UV-SD-P0	Ultraviolet	405nm					
ELSB	ELSB-105BL-SD-P0	Blue	465nm					
ELSB	ELSB-105GR-SD-P0	Green	525nm					
ELSB	ELSB-105RD-SD-P0	Red	625nm					
ELSB	ELSB-105IR-SD-P0	Infrared	850nm	30W	Semi-diffuse Window	P1	2 x M12-5 (M&F)	300g
ELSB	ELSB-105SW-SD-P1	White	5500 K ± 500 K					
ELSB	ELSB-105UV-SD-P1	Ultraviolet	405nm					
ELSB	ELSB-105BL-SD-P1	Blue	465nm					
ELSB	ELSB-105GR-SD-P1	Green	525nm					
ELSB	ELSB-105RD-SD-P1	Red	625nm					
ELSB	ELSB-105IR-SD-P1	Infrared	850nm					

Series	Part Number	Color	Wavelength / Color temperature	Max Power Consumption	Diffuser	Lens Position	Connectors	Weight
ELSB	ELSB-105SW-SD-P2	White	5500 K ± 500 K	30W	Semi-diffuse Window	P2	2 x M12-5 (M&F)	300g
ELSB	ELSB-105UV-SD-P2	Ultraviolet	405nm					
ELSB	ELSB-105BL-SD-P2	Blue	465nm					
ELSB	ELSB-105GR-SD-P2	Green	525nm					
ELSB	ELSB-105RD-SD-P2	Red	625nm					
ELSB	ELSB-105IR-SD-P2	Infrared	850nm	30W	Semi-diffuse Window	P3	2 x M12-5 (M&F)	300g
ELSB	ELSB-105SW-SD-P3	White	5500 K ± 500 K					
ELSB	ELSB-105UV-SD-P3	Ultraviolet	405nm					
ELSB	ELSB-105BL-SD-P3	Blue	465nm					
ELSB	ELSB-105GR-SD-P3	Green	525nm					
ELSB	ELSB-105RD-SD-P3	Red	625nm	30W	Diffuse Window	P0 (without lens)	2 x M12-5 (M&F)	300g
ELSB	ELSB-105IR-SD-P3	Infrared	850nm					
ELSB	ELSB-105SW-DF-P0	White	5500 K ± 500 K					
ELSB	ELSB-105UV-DF-P0	Ultraviolet	405nm					
ELSB	ELSB-105BL-DF-P0	Blue	465nm					
ELSB	ELSB-105GR-DF-P0	Green	525nm	30W	Diffuse Window	P1	2 x M12-5 (M&F)	300g
ELSB	ELSB-105RD-DF-P0	Red	625nm					
ELSB	ELSB-105IR-DF-P0	Infrared	850nm					
ELSB	ELSB-105SW-DF-P1	White	5500 K ± 500 K					
ELSB	ELSB-105UV-DF-P1	Ultraviolet	405nm					
ELSB	ELSB-105BL-DF-P1	Blue	465nm	30W	Diffuse Window	P2	2 x M12-5 (M&F)	300g
ELSB	ELSB-105GR-DF-P1	Green	525nm					
ELSB	ELSB-105RD-DF-P1	Red	625nm					
ELSB	ELSB-105IR-DF-P1	Infrared	850nm					
ELSB	ELSB-105SW-DF-P2	White	5500 K ± 500 K					
ELSB	ELSB-105UV-DF-P2	Ultraviolet	405nm	30W	Diffuse Window	P3	2 x M12-5 (M&F)	300g
ELSB	ELSB-105BL-DF-P2	Blue	465nm					
ELSB	ELSB-105GR-DF-P2	Green	525nm					
ELSB	ELSB-105RD-DF-P2	Red	625nm					
ELSB	ELSB-105IR-DF-P2	Infrared	850nm					
ELSB	ELSB-105SW-DF-P3	White	5500 K ± 500 K	30W	Diffuse Window	P3	2 x M12-5 (M&F)	300g
ELSB	ELSB-105UV-DF-P3	Ultraviolet	405nm					
ELSB	ELSB-105BL-DF-P3	Blue	465nm					
ELSB	ELSB-105GR-DF-P3	Green	525nm					
ELSB	ELSB-105RD-DF-P3	Red	625nm					
ELSB	ELSB-105IR-DF-P3	Infrared	850nm					

## ELSB-285

Series	Part Number	Color	Wavelength / Color temperature	Max Power Consumption	Diffuser	Lens Position	Connectors	Weight
ELSB	ELSB-285SW-CW-P0	White	5500 K ± 500 K	80W	Clear Window	P0 (without lens)	2 x M12-5 (M&F)	800g
ELSB	ELSB-285UV-CW-P0	Ultraviolet	405nm					
ELSB	ELSB-285BL-CW-P0	Blue	465nm					
ELSB	ELSB-285GR-CW-P0	Green	525nm					
ELSB	ELSB-285RD-CW-P0	Red	625nm					
ELSB	ELSB-285IR-CW-P0	Infrared	850nm	80W	Clear Window	P1	2 x M12-5 (M&F)	800g
ELSB	ELSB-285SW-CW-P1	White	5500 K ± 500 K					
ELSB	ELSB-285UV-CW-P1	Ultraviolet	405nm					
ELSB	ELSB-285BL-CW-P1	Blue	465nm					
ELSB	ELSB-285GR-CW-P1	Green	525nm					
ELSB	ELSB-285RD-CW-P1	Red	625nm	80W	Clear Window	P2	2 x M12-5 (M&F)	800g
ELSB	ELSB-285IR-CW-P1	Infrared	850nm					
ELSB	ELSB-285SW-CW-P2	White	5500 K ± 500 K					
ELSB	ELSB-285UV-CW-P2	Ultraviolet	405nm					
ELSB	ELSB-285BL-CW-P2	Blue	465nm					
ELSB	ELSB-285GR-CW-P2	Green	525nm	80W	Clear Window	P3	2 x M12-5 (M&F)	800g
ELSB	ELSB-285RD-CW-P2	Red	625nm					
ELSB	ELSB-285IR-CW-P2	Infrared	850nm					
ELSB	ELSB-285SW-CW-P3	White	5500 K ± 500 K					
ELSB	ELSB-285UV-CW-P3	Ultraviolet	405nm					
ELSB	ELSB-285BL-CW-P3	Blue	465nm					
ELSB	ELSB-285GR-CW-P3	Green	525nm					
ELSB	ELSB-285RD-CW-P3	Red	625nm					
ELSB	ELSB-285IR-CW-P3	Infrared	850nm					

Series	Part Number	Color	Wavelength / Color temperature	Max Power Consumption	Diffuser	Lens Position	Connectors	Weight
ELSB	ELSB-285SW-SD-P0	White	5500 K ± 500 K	80W	Semi-diffuse Window	P0 (without lens)	2 x M12-5 (M&F)	800g
ELSB	ELSB-285UV-SD-P0	Ultraviolet	405nm					
ELSB	ELSB-285BL-SD-P0	Blue	465nm					
ELSB	ELSB-285GR-SD-P0	Green	525nm					
ELSB	ELSB-285RD-SD-P0	Red	625nm					
ELSB	ELSB-285IR-SD-P0	Infrared	850nm	80W	Semi-diffuse Window	P1	2 x M12-5 (M&F)	800g
ELSB	ELSB-285SW-SD-P1	White	5500 K ± 500 K					
ELSB	ELSB-285UV-SD-P1	Ultraviolet	405nm					
ELSB	ELSB-285BL-SD-P1	Blue	465nm					
ELSB	ELSB-285GR-SD-P1	Green	525nm					
ELSB	ELSB-285RD-SD-P1	Red	625nm	80W	Semi-diffuse Window	P2	2 x M12-5 (M&F)	800g
ELSB	ELSB-285IR-SD-P1	Infrared	850nm					
ELSB	ELSB-285SW-SD-P2	White	5500 K ± 500 K					
ELSB	ELSB-285UV-SD-P2	Ultraviolet	405nm					
ELSB	ELSB-285BL-SD-P2	Blue	465nm					
ELSB	ELSB-285GR-SD-P2	Green	525nm	80W	Semi-diffuse Window	P3	2 x M12-5 (M&F)	800g
ELSB	ELSB-285RD-SD-P2	Red	625nm					
ELSB	ELSB-285IR-SD-P2	Infrared	850nm					
ELSB	ELSB-285SW-SD-P3	White	5500 K ± 500 K					
ELSB	ELSB-285UV-SD-P3	Ultraviolet	405nm					
ELSB	ELSB-285BL-SD-P3	Blue	465nm	80W	Diffuse Window	P0 (without lens)	2 x M12-5 (M&F)	800g
ELSB	ELSB-285GR-SD-P3	Green	525nm					
ELSB	ELSB-285RD-SD-P3	Red	625nm					
ELSB	ELSB-285IR-SD-P3	Infrared	850nm					
ELSB	ELSB-285SW-DF-P0	White	5500 K ± 500 K					
ELSB	ELSB-285UV-DF-P0	Ultraviolet	405nm	80W	Diffuse Window	P1	2 x M12-5 (M&F)	800g
ELSB	ELSB-285BL-DF-P0	Blue	465nm					
ELSB	ELSB-285GR-DF-P0	Green	525nm					
ELSB	ELSB-285RD-DF-P0	Red	625nm					
ELSB	ELSB-285IR-DF-P0	Infrared	850nm					
ELSB	ELSB-285SW-DF-P1	White	5500 K ± 500 K	80W	Diffuse Window	P2	2 x M12-5 (M&F)	800g
ELSB	ELSB-285UV-DF-P1	Ultraviolet	405nm					
ELSB	ELSB-285BL-DF-P1	Blue	465nm					
ELSB	ELSB-285GR-DF-P1	Green	525nm					
ELSB	ELSB-285RD-DF-P1	Red	625nm					
ELSB	ELSB-285IR-DF-P1	Infrared	850nm	80W	Diffuse Window	P3	2 x M12-5 (M&F)	800g
ELSB	ELSB-285SW-DF-P2	White	5500 K ± 500 K					
ELSB	ELSB-285UV-DF-P2	Ultraviolet	405nm					
ELSB	ELSB-285BL-DF-P2	Blue	465nm					
ELSB	ELSB-285GR-DF-P2	Green	525nm					
ELSB	ELSB-285RD-DF-P2	Red	625nm	80W	Diffuse Window	P3	2 x M12-5 (M&F)	800g
ELSB	ELSB-285IR-DF-P2	Infrared	850nm					
ELSB	ELSB-285SW-DF-P3	White	5500 K ± 500 K					
ELSB	ELSB-285UV-DF-P3	Ultraviolet	405nm					
ELSB	ELSB-285BL-DF-P3	Blue	465nm					
ELSB	ELSB-285GR-DF-P3	Green	525nm	80W	Diffuse Window	P3	2 x M12-5 (M&F)	800g
ELSB	ELSB-285RD-DF-P3	Red	625nm					
ELSB	ELSB-285IR-DF-P3	Infrared	850nm					

## OPTICAL ACCESSORIES

Other windows	
Part Number	Applicable LED Unit
CW-ELSB-55	ELSB-55
CW-ELSB-105	ELSB-105
CW-ELSB-185	ELSB-185
SD-ELSB-55	ELSB-55
SD-ELSB-105	ELSB-105
SD-ELSB-185	ELSB-185
DF-ELSB-55	ELSB-55
DF-ELSB-105	ELSB-105
DF-ELSB-185	ELSB-185

Polarizer	
Part Number	Applicable LED Unit
PL-ELSB-55	ELSB-55
PL-ELSB-105	ELSB-105
PL-ELSB-185	ELSB-185

For cables cf. the datasheet of the ECB cables series.  
For fasteners cf. the datasheet of the BK fasteners series.



CUSTOM - ON REQUEST

OPTION AVAILABLE ON REQUEST



EU DIRECTIVE



In accordance with EU machinery directive, EMC directive, and low voltage directive, machines and electronic devices not marked with the CE logo are subject to distribution restrictions within the EU. All EL Series products. These products will maintain the EU mandate compatibility of our customers' machinery and electronic devices.

RoHS DIRECTIVE

All products from the EL Series comply with the RoHS Directive.

MICRO WEBSITE

[www.el-series.com](http://www.el-series.com)