

# TG0812FCS-3

**8mm F1.2**  
**for 1/3 type Cameras, Fixed-focal Auto Iris DC Drive**  
**CS-Mount**

with Focus, w/o Amplifier

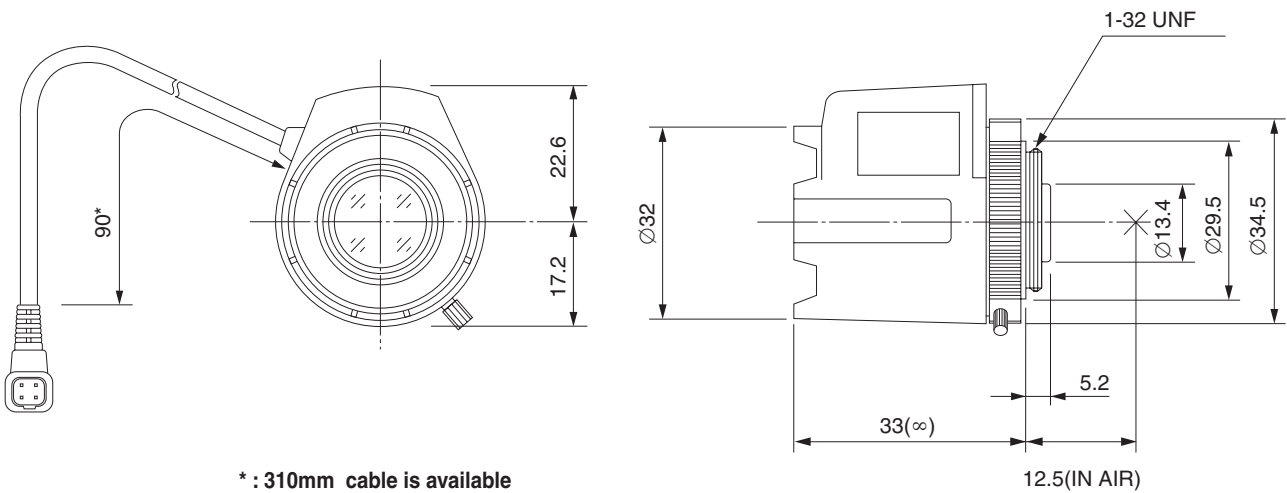
**1/3**  
type

Model No.	TG0812FCS-3		Effective	Front	Ø15.0mm
Focal Length	8mm		Lens Aperture	Rear	Ø8.8mm
Max. Aperture Ratio	1:1.2		Back Focal Length	7.5mm	
Max. Image Format	4.8mm x 3.6mm(Ø6mm)		Flange Back Length	12.5mm	
Operation Range	Iris	F1.2 - F360C	Mount	CS-Mount	
	Focus	0.2m - Inf.	Filter Size	—	
Control	Iris	DC Auto Iris	Dimensions	Ø32mm x 39.8mm x 33mm	
	Focus	Manual	Weight	39g	
Object Dimension at M.O.D.	12.5cm x 9.2cm				
Angle of View	D	1/3 type	43.5°	1/4 type	32.4°
	H		34.7°		25.9°
	V		25.9°		16.4°
Coil	Drive	190Ω			
	Control	855Ω			
Operating Temperature	-20°C - +50°C				

M.O.D : Minimum Object Distance

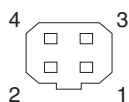
## Dimensions

**CS**



\* : 310mm cable is available

## Wiring Diagram



### Pin No.

1	BROWN	Control (-)
2	RED	Control (+)
3	YELLOW	Drive (+)
4	ORANGE	Drive (-)