

5 Main Specifications

Common Specifications

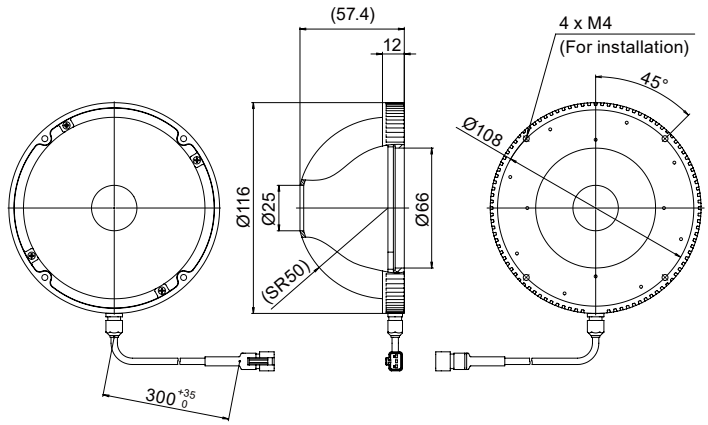
Input voltage	24 VDC
LED color	Infrared
Connector	SMR-03V-B
Polarity	1:(+), 2:NC, 3:(-)
Cable length	300 mm
Cooling method	Natural air-cooling
Operating environment (indoors only)	Temperature: 0 to 40°C, Humidity: 20 to 85%RH (with no condensation)
Storage environment	Temperature: -20 to 60°C, Humidity: 20 to 85%RH (with no condensation)
CE marking	Safety standard: Conforms to EN62471
Case material	Aluminum alloy, Resin
Accessories	Instruction guide x1

Specifications by Model

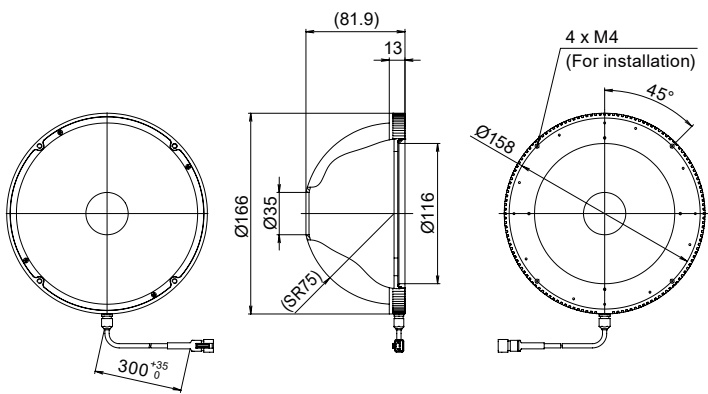
Model name	Peak wavelength (typ.)	Power consumption (max.)	Weight
HPD2-100IR105	1050 nm	13 W	Approx. 160 g
HPD2-100IR120	1200 nm	11 W	
HPD2-100IR130	1300 nm	10 W	
HPD2-100IR145	1450 nm	8.6 W	
HPD2-100IR155	1550 nm	8.6 W	
HPD2-100IR165	1650 nm	8.6 W	Approx. 285 g
HPD2-150IR105	1050 nm	19 W	
HPD2-150IR120	1200 nm	16 W	
HPD2-150IR130	1300 nm	15 W	
HPD2-150IR145	1450 nm	13 W	
HPD2-150IR155	1550 nm	13 W	
HPD2-150IR165	1650 nm	13 W	

6 Dimensions (mm)

HPD2-100IR105/120/130/145/155/165



HPD2-150IR105/120/130/145/155/165



- Contents of this Instruction Guide may be changed without prior notice.
- Illustrations used in this Instruction Guide may differ from actual products.
- CCS maintains the copyright on this Instruction Guide. Unauthorized transfer or reproduction is strictly prohibited.